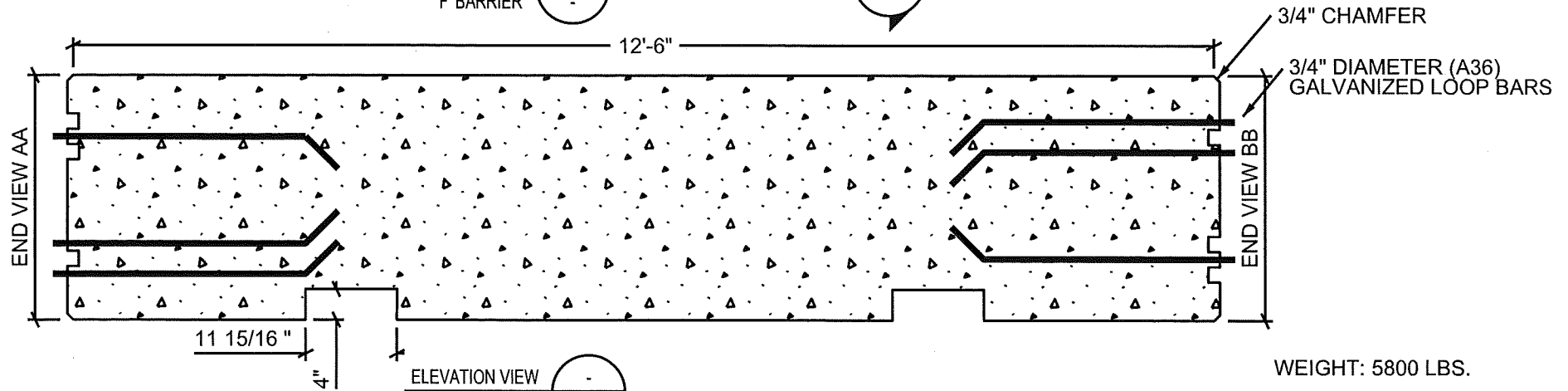
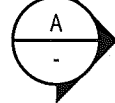


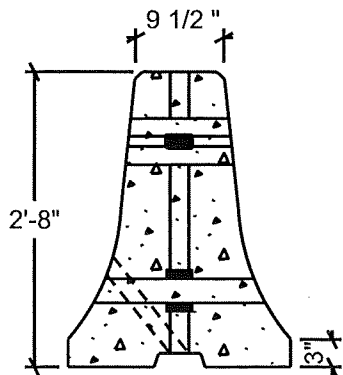
PLAN VIEW  
'F' BARRIER



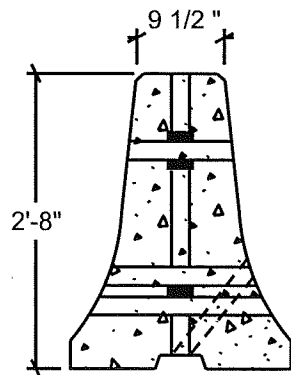
ELEVATION VIEW  
'F' BARRIER

WEIGHT: 5800 LBS.

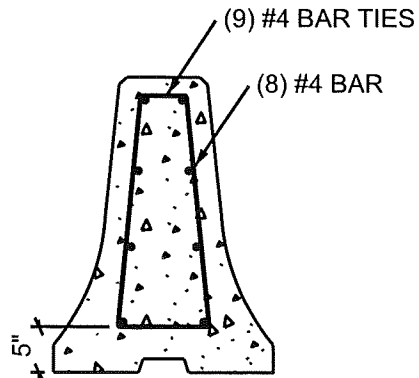
REBAR & MESH					
BAR#	MARK	LENGTHS			WEIGHT
		QTY.	BEND	LENGTH	
#4		8			
#4		9			



END VIEW AA  
'F' BARRIER



END VIEW BB  
'F' BARRIER



CUT VIEW  
'F' BARRIER



1122 BRADWAY ROAD,  
NORTH POLE, AK. 99705  
PH: 488-9763  
FAX: 488-8300

SCALE: NO SCALE

DRAWN BY: T.E.C.

DATE 2/4/2010

REVISED: 2/19/2010

**DOT TYPE "F" BARRIER**