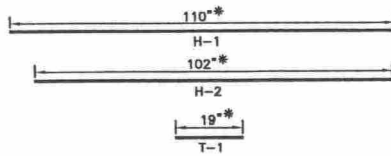
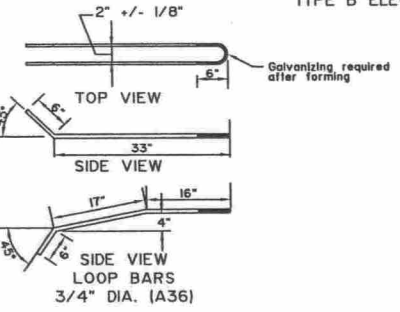
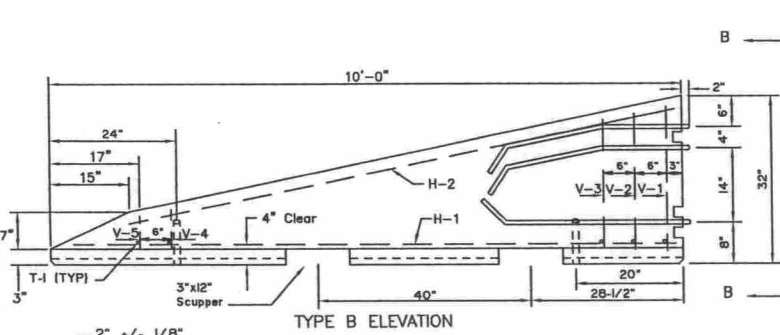
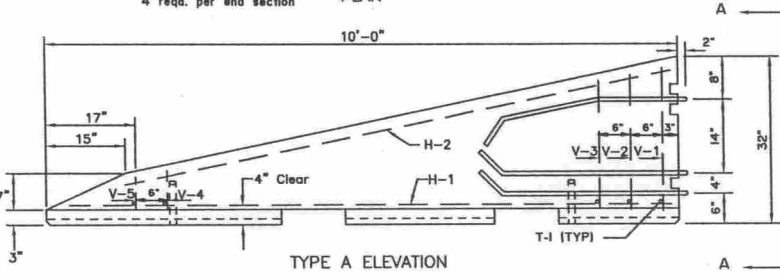
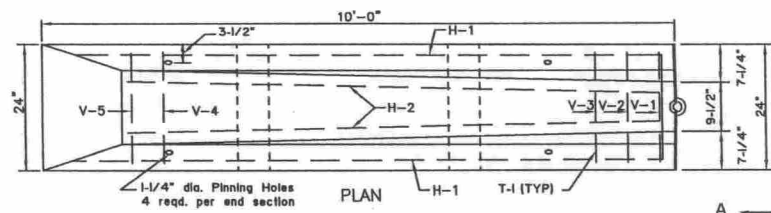
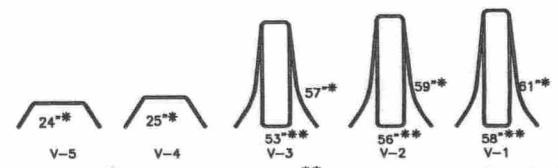
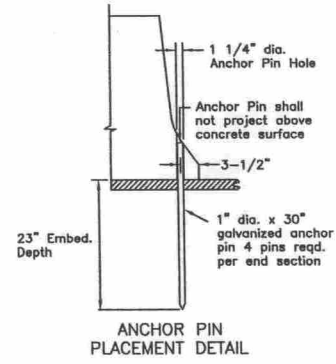
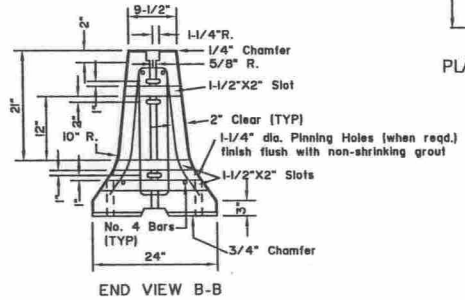
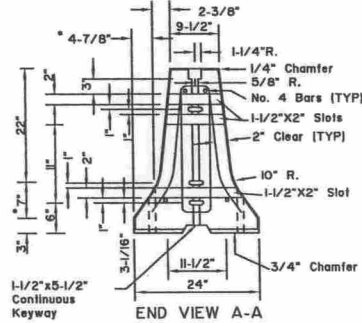


GENERAL NOTES

1. Tapered end sections shall be used only on trailing ends, flared ends beyond clear zones, or low speed locations with a speed limit of 30 mph or less.
2. Concrete shall be air entrained with minimum compressive strength of 3,000 p.s.i.
3. Concrete clear cover for reinforcing steel bars shall be a minimum of two inches except as shown otherwise.
4. All exposed hardware shall be galvanized in accordance with AASHTO M 232.
5. Reinforcing steel bars shall conform to AASHTO M 31-86, grade 60.
6. Anchor pins shall conform to AASHTO M 183 steel.
7. Connecting pins shall conform to AASHTO M 164-86.
8. Four anchor pins per unit shall be required.



* Dimensions marked thus are to the intersection point of the barrier slopes.



*Length of No. 4 Rebar **Length of No. 4 Rebar (Inner Core)

REVISIONS		
Date	Description	By

Sheet 2 of 2

State of Alaska
Department of Transportation
& Public Facilities
**PRECAST CONCRETE
"T" SHAPE BARRIER
TAPERED END SECTION**



Date 2/28/03