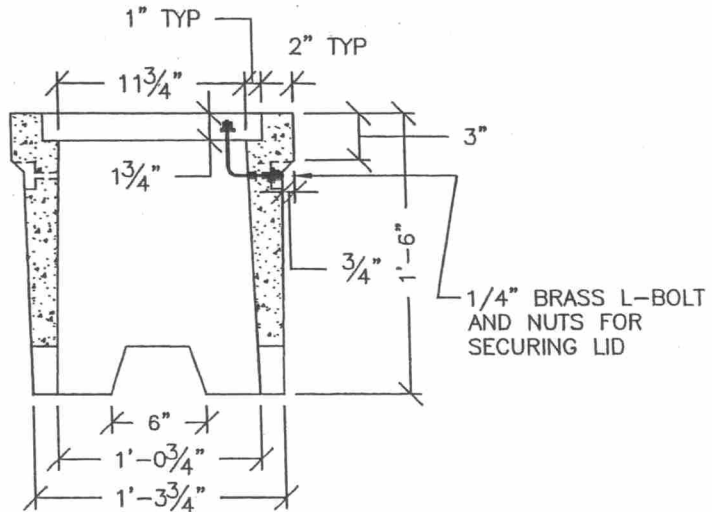
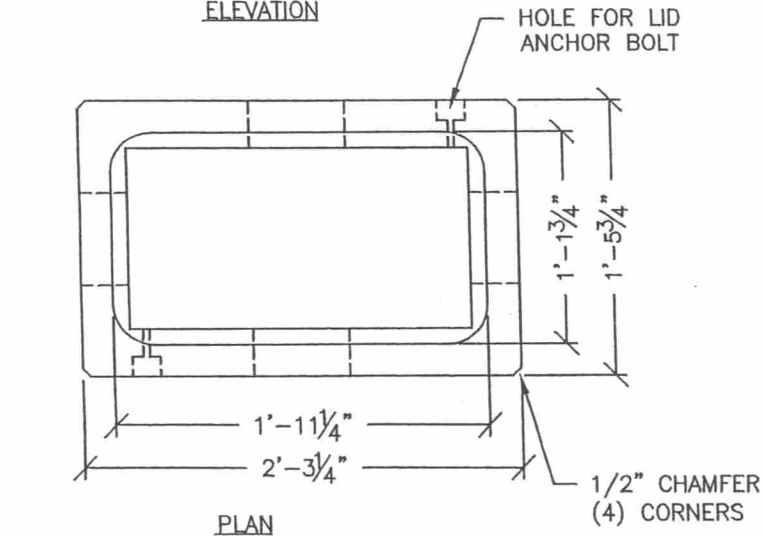


ELEVATION



SECTION



PLAN

NOTES:

1. WEIGHT: 300#
2. LID/ COVER: EAST JORDAN IRON WORKS #3602 (IFCO # 2002)
3. FPR CAN SUPPLY GROUNDING BRAID-NOT INCLUDED
- 4.
- 5.

LIFTING:

FAIRBANKS PRECAST & REBAR

1122 BRADWAY ROAD NORTH POLE AK, 99705
 PHONE: (907) 488-9763 FAX: (907) 488-8300

SCALE: NTS

DRAWN BY: EID

DATE: 12-13-00

REVISED: 2/8/06 TWD

TYPE 1A JUNCTION BOX