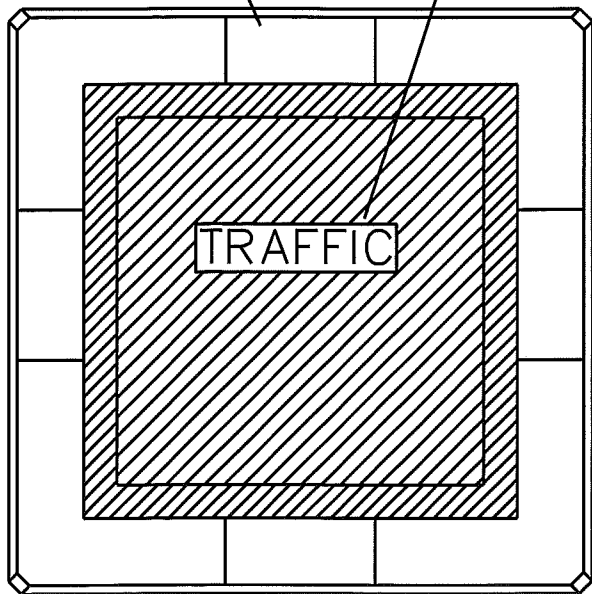
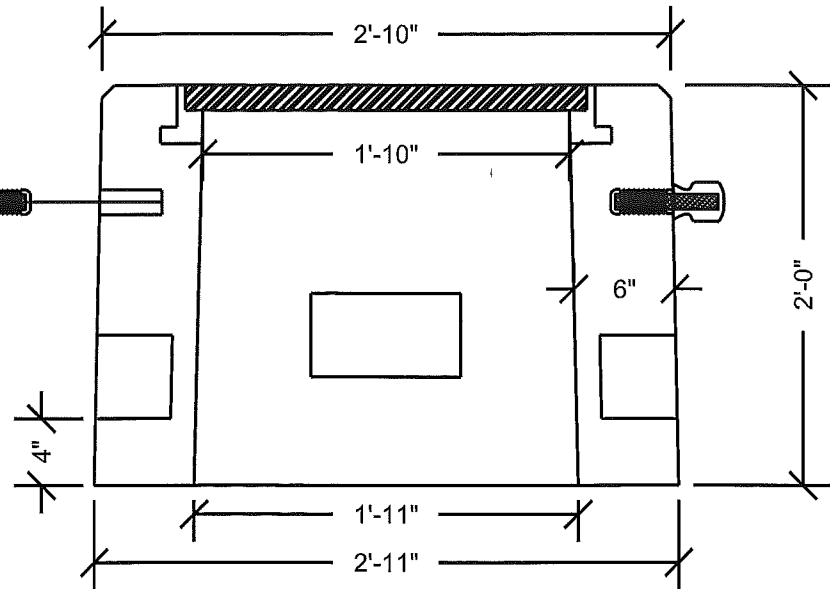


(4) KNOCKOUTS
5" X 9" X 4.5"

STANDARD LETTERING:
LIGHTING or TRAFFIC



EZ-LIFT PINS



Notes:

(4) 1/2" ferrule inserts - located center of inside walls for cable hooks.

Please note blockouts - size & location.

EZ Lift pins - like those used in 48" dia, Manhole sections.

Weight = approx. 1700 lbs each (with frame & cover)



**Fairbanks
Precast & Rebar**

1122 BRADWAY ROAD.
NORTH POLE, AK.99705
PH: (907) 488-9763
FAX: (907) 488-8300

SCALE: NO SCALE

DRAWN BY: T.E.C.

DATE 1/25/2010

REVISED: 2/22/2010

TYPE II JUNCTION BOX