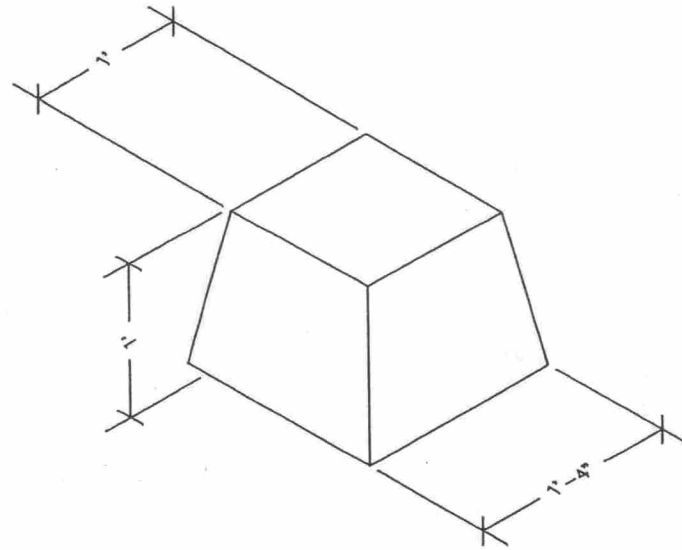


1' BASE PIER BLOCK



1'-4" BASE PIER BLOCK

**NOTES:**

1. WEIGHT: 12" SQ. -105#
2. WEIGHT: 16" SQ. -205#
- 3.

**FAIRBANKS PRECAST & REBAR** 

1122 BRADWAY ROAD NORTH POLE AK, 99705  
 PHONE: (907) 488-9763 FAX: (907) 488-8300

SCALE: NOT TO SCALE	DRAWN BY: TWD
DATE: 1-09-01	REVISED:

PIER BLOCKS