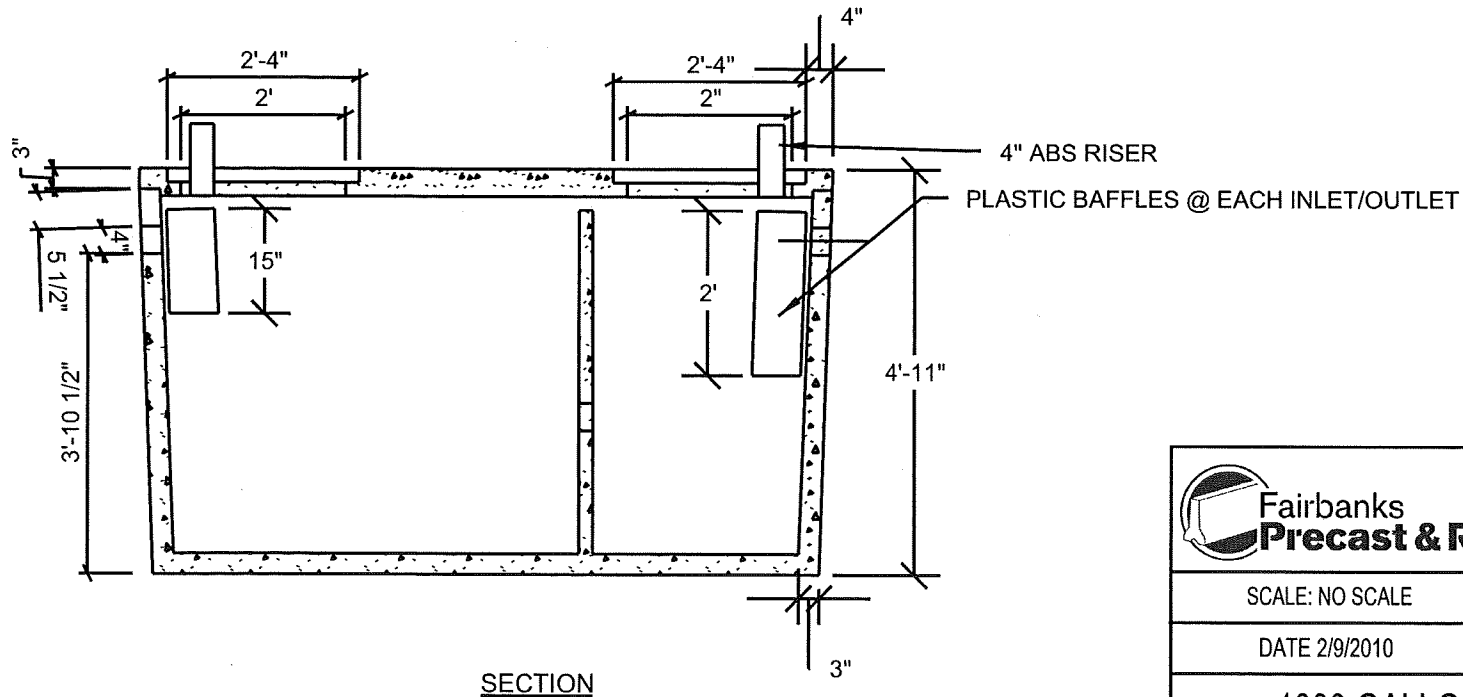



TOP VIEW

WEIGHTS:  
 LID = 2,800 LBS.  
 TANK = 5,500 LBS.

NOTES:  
 1000 GALLON SEPTIC TANK REINFORCED WITH 6X6  
 W4.0XW4.0 WIRE MESH CAGE.  
 SEPERATE BAFFLE REINFORCED WITH 6X6  
 W4.0XW4.0 WIRE MESH AS WELL.  
 ALL MESH 2" CLEAR FROM SIDE FORM.  
 LID REINFORCED WITH #4 @ 8" O.C.E.W.



SECTION

		1122 BRADWAY ROAD. NORTH POLE, AK.99705 PH:488-9763 FAX:488-8300	
		SCALE: NO SCALE	DRAWN BY: T.E.C.
DATE 2/9/2010		REVISED: 2/19/2010	
<b>1000 GALLON SEPTIC TANK</b>			