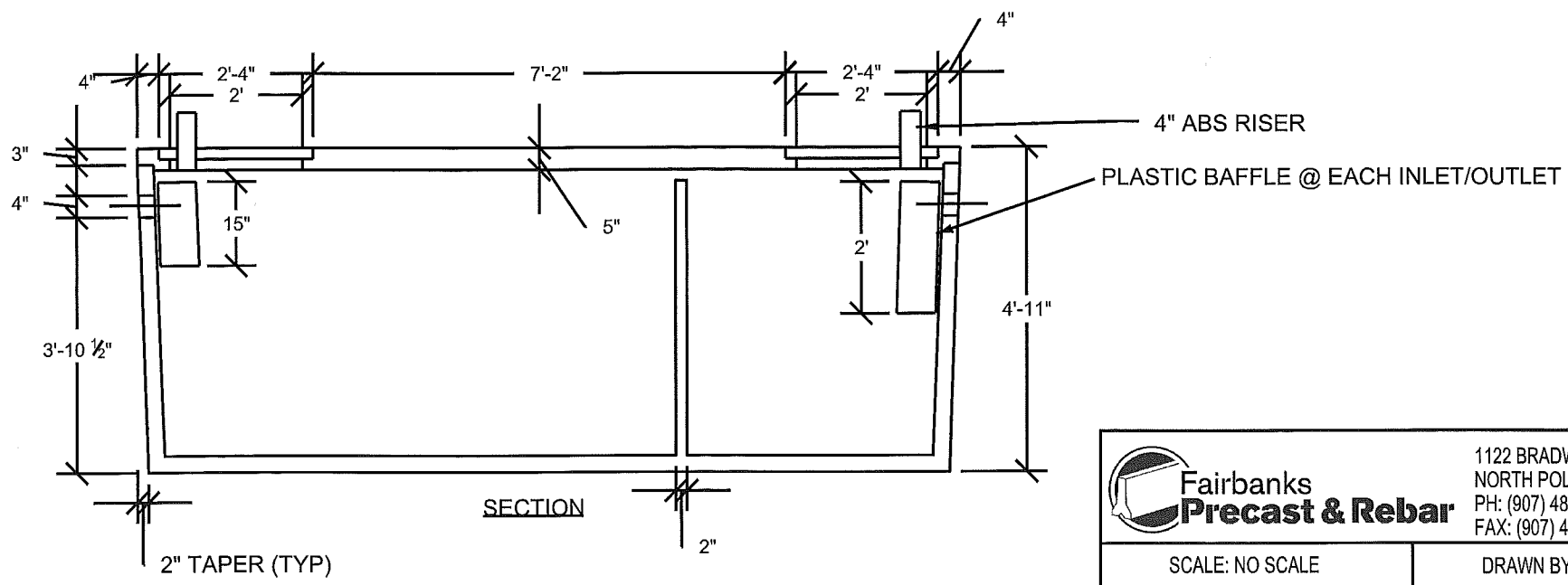



WEIGHTS:
 LID = 4,300 LBS.
 TANK = 7,000 LBS.

NOTES:
 1500 GALLON SEPTIC TANK REINFORCED WITH
 6X6 W4.0XW4.0 WIRE MESH CAGE.
 INCLUDES BAFFLE AREA AS WELL.
 ALL MESH 2" CLEAR FROM SIDE OF FORM.
 LID REINFORCED WITH #4 @ 8" O.C.E.W.

TOP VIEW



SECTION

	1122 BRADWAY ROAD. NORTH POLE, AK.99705 PH: (907) 488-9763 FAX: (907) 488-8300	
	SCALE: NO SCALE	DRAWN BY: T.E.C.
DATE 2/9/2010	REVISED: 2/9/2010	
1500 GALLON SEPTIC TANK		