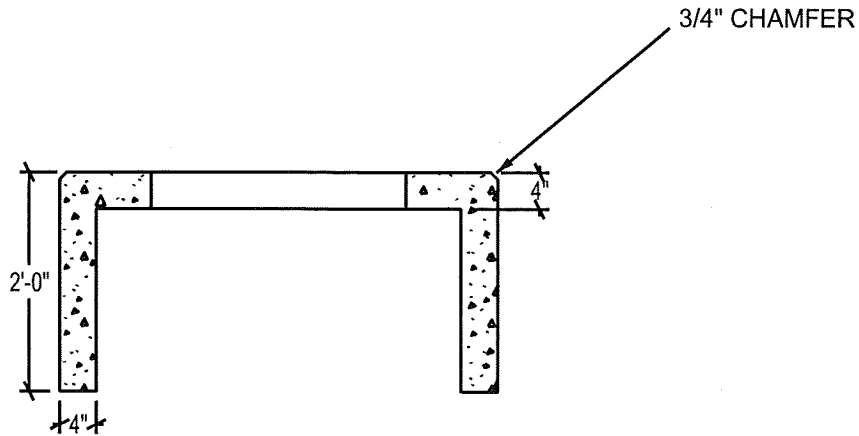


PLAN



SECTION

NOTES:  
 6x6-W2.9XW2.9 WWF CAGE  
 APPROXIMATE WEIGHT = 2000 LBS.  
 #4 U BARS AROUND WINDOW  
 (4) 5/8" LIFTING INSERTS

REBAR & MESH					
BAR#	MARK	LENGTHS			WEIGHT
		QTY.	BEND	LENGTH	
#4		2		2'X1'-6"X2'	
#4		2		3'	



**Fairbanks  
Precast & Rebar**

1122 BRADWAY ROAD.  
 NORTH POLE, AK.99705  
 PH:488-9763  
 FAX:488-8300

SCALE: NO SCALE

DRAWN BY: T.E.C.

DATE 1/25/2010

REVISED: 2/19/2010

**UM1-1/SUM1 48"X48"X24"**