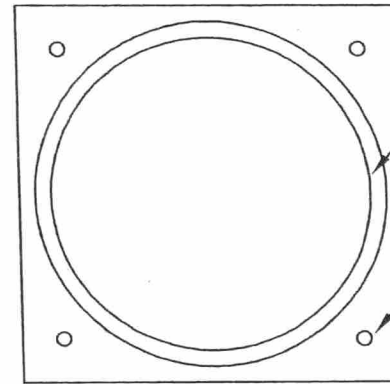


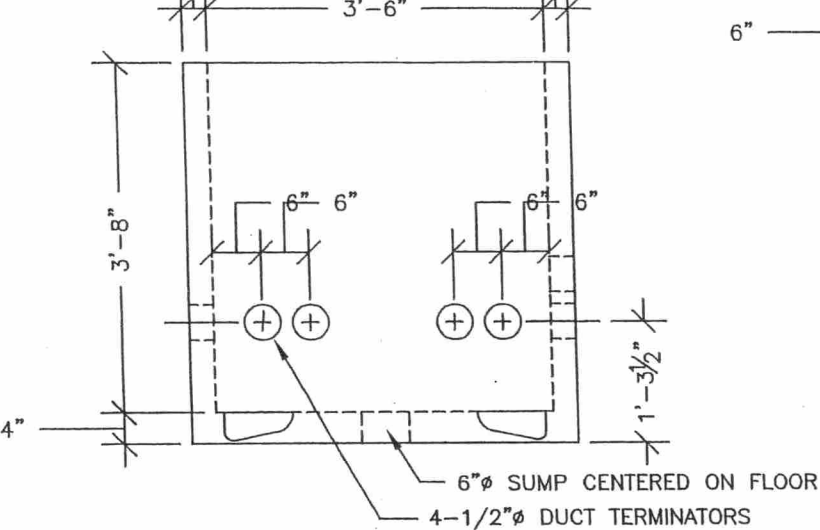
LID -SIDE VIEW



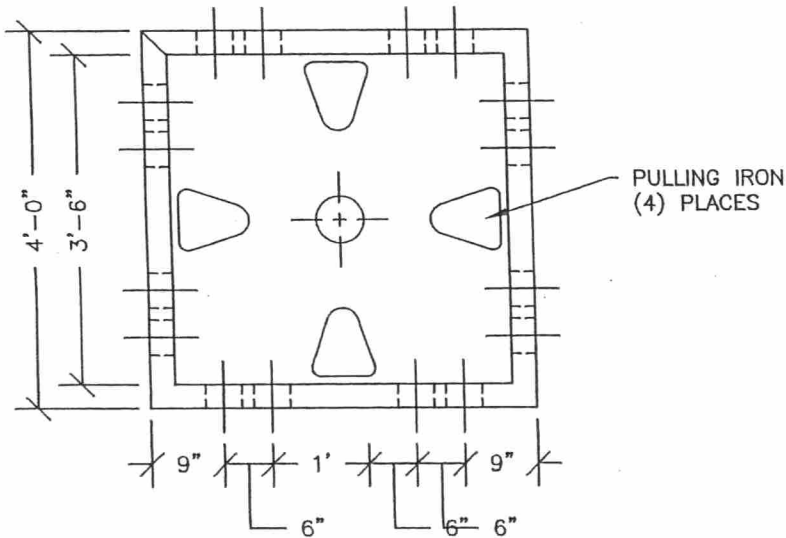
40"φ ACCESS HOLE

5/8" FERRULE LOOP INSERT
LIFTING ANCHORS (4)

LID - TOP VIEW



VAULT -SIDE VIEW



VAULT -TOP VIEW

NOTES:

1. WEIGHT: VAULT + LID ONLY= ?#
2. USES 6" OR 12" x 40" Ø GRADE RING & 3 ROLLS (43.5 LF) 1' x 1" SEALANT
3. CAST IRON RING: EJIW #1820ZVH -WT: 295#
4. CAST IRON COVER: EJIW #00180846 -WT: 295#
5. SEALANT BETWEEN: VAULT & LID, LID & G.R., G.R. & CAST IRON RING

LIFTING: PULLING IRONS IN VAULT, (4) 5/8" FERRULE LOOP INSERTS IN LID

FAIRBANKS PRECAST & REBAR

1122 BRADWAY ROAD NORTH POLE AK, 99705
PHONE: (907) 488-9763 FAX: (907) 488-8300

SCALE: NOT TO SCALE DRAWN BY: TWD

DATE: 1-03-01 REVISED: 2/8/06

VAULT #353535