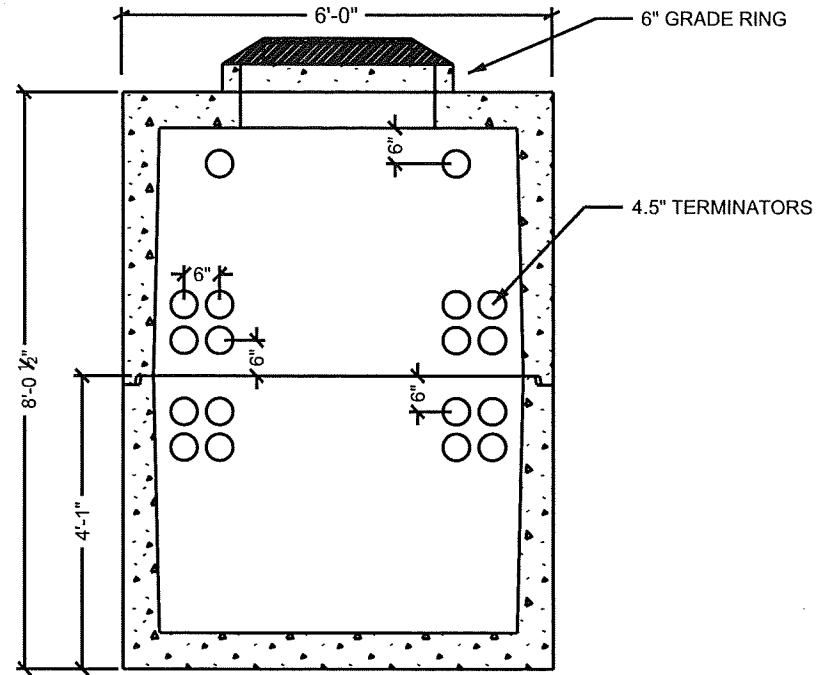

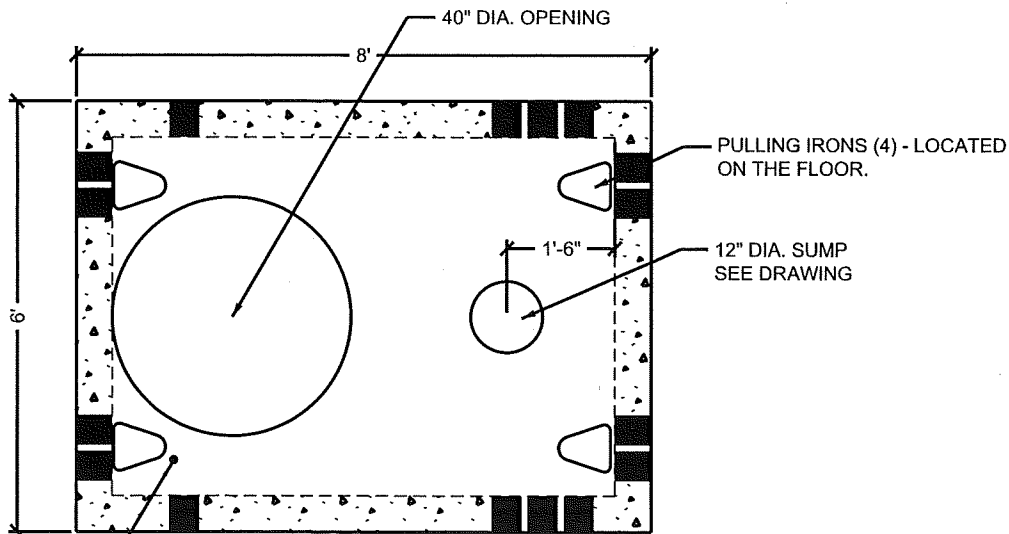
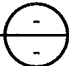


SIDE ELEVATION 



END ELEVATION  
SHOWING GR & CASTING 



GROUND ROD HOLE 1" DIA. 

APPROXIMATE WEIGHT:  
TOP: 10,000 LBS.  
BOTTOM: 10,000 LBS.

REINFORCEMENT:  
#5 12" O.C.E.W. WITH ADDITIONAL  
#5 AROUND 40" DIAMETER OPENING.

WE CAN INSTALL CUSTOM BLOCKOUTS  
OR DIFFERENT SIZED TERMINATORS  
WHERE NEEDED.



**Fairbanks  
Precast & Rebar**

1122 BRADWAY ROAD.  
NORTH POLE, AK.99705  
PH:488-9763  
FAX:488-8300

SCALE: NO SCALE

DRAWN BY: T.E.C.

DATE 2/9/2010

REVISED: 2/19/2010

FTWW 6'X8'X8' O.D. COMM VAULT