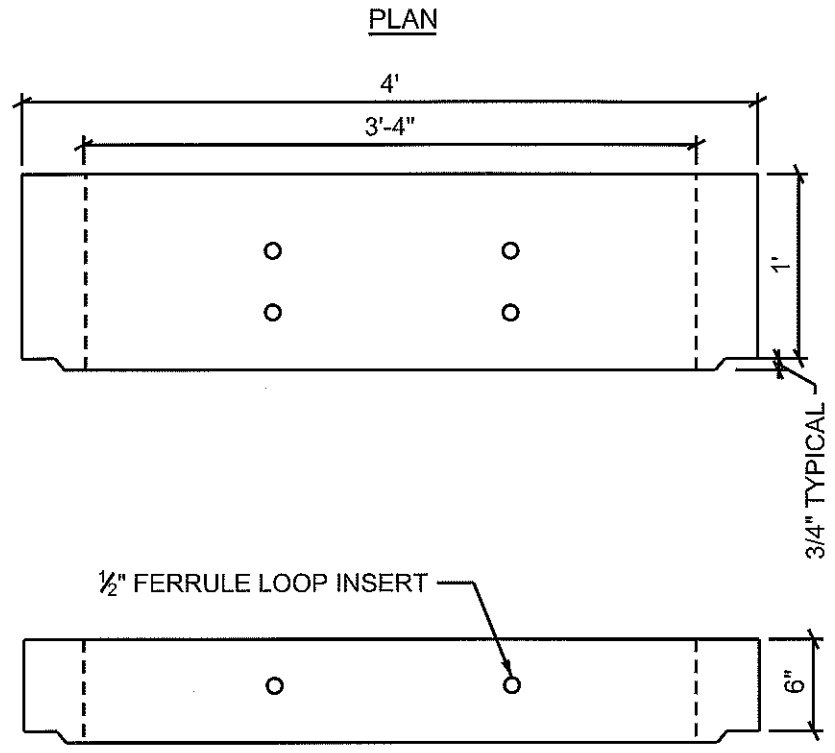


1/2" FERRULE LOOP INSERT STEP ANCHOR
6" RISER (2), 12" RISER (4)

PLAN


3/4" COIL LOOP INSERT LIFTING ANCHOR (2)



PLAN

1/2" FERRULE LOOP INSERT

SECTION A - 6" RISERS AND 12" RISERS

 Fairbanks Precast & Rebar	1122 BRADWAY ROAD, NORTH POLE, AK 99705 PH: (907) 488-9763 FAX: (907) 488-8300	
	SCALE: NO SCALE	DRAWN BY: T.E.C.
DATE 2/9/2010	REVISED: 2/9/2010	
40" DIA. UTILITY VAULT GRADE RING - (12" & 6")		