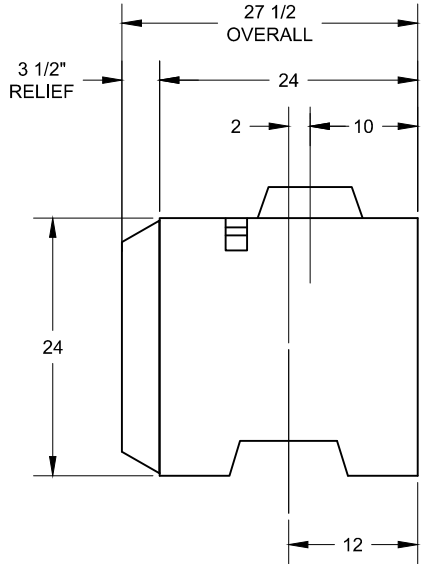
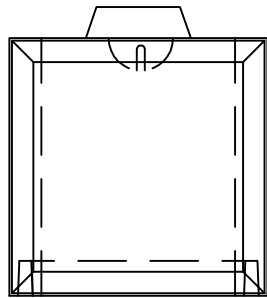
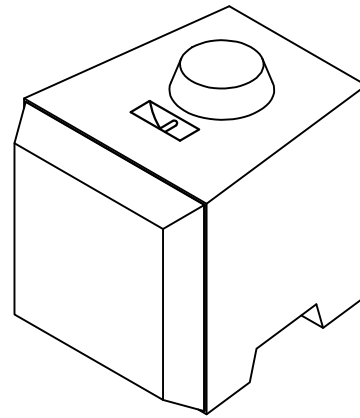
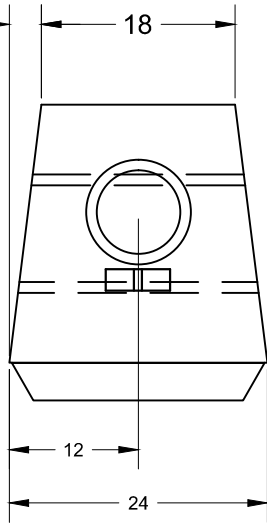


3" TAPER  
WHEN NEEDED  
ONLY.



WORLD BLOCK HALF LANDSCAPE BLOCK

8 Cft  
1,200 Lbs. +/-