

# Continuous Insulation: StoTherm®ci Residential over Wood Frame Series 2.xx January 2015

## ATTENTION

Sto products are intended for use by qualified professional contractors, not consumers, as a component of a larger construction assembly as specified by a qualified design professional, general contractor or builder. They should be installed in accordance with those specifications and Sto's instructions. Sto Corp. disclaims all, and assumes no, liability for on-site inspections, for its products applied improperly, or by unqualified persons or entities, or as part of an improperly designed or constructed building, for the nonperformance of adjacent building components or assemblies, or for other construction activities beyond Sto's control. Improper use of Sto products or use as part of an improperly designed or constructed larger assembly or building may result in serious damage to Sto products, and to the structure of the building or its components.

STO CORP. DISCLAIMS ALL WARRANTIES EXPRESSED OR IMPLIED EXCEPT FOR EXPLICIT LIMITED WRITTEN WARRANTIES ISSUED TO AND ACCEPTED BY BUILDING OWNERS IN ACCORDANCE WITH STO'S WARRANTY PROGRAMS WHICH ARE SUBJECT TO CHANGE FROM TIME TO TIME. For the fullest, most current information on proper application, clean-up, mixing and other specifications and warranties, cautions and disclaimers, please refer to the Sto Corp. website, [www.stocorp.com](http://www.stocorp.com).

[www.stocorp.com](http://www.stocorp.com)



Property of Sto Corp.  
All Rights Reserved.

## Continuous Insulation: StoTherm® ci Residential over Wood Frame

### Details Index

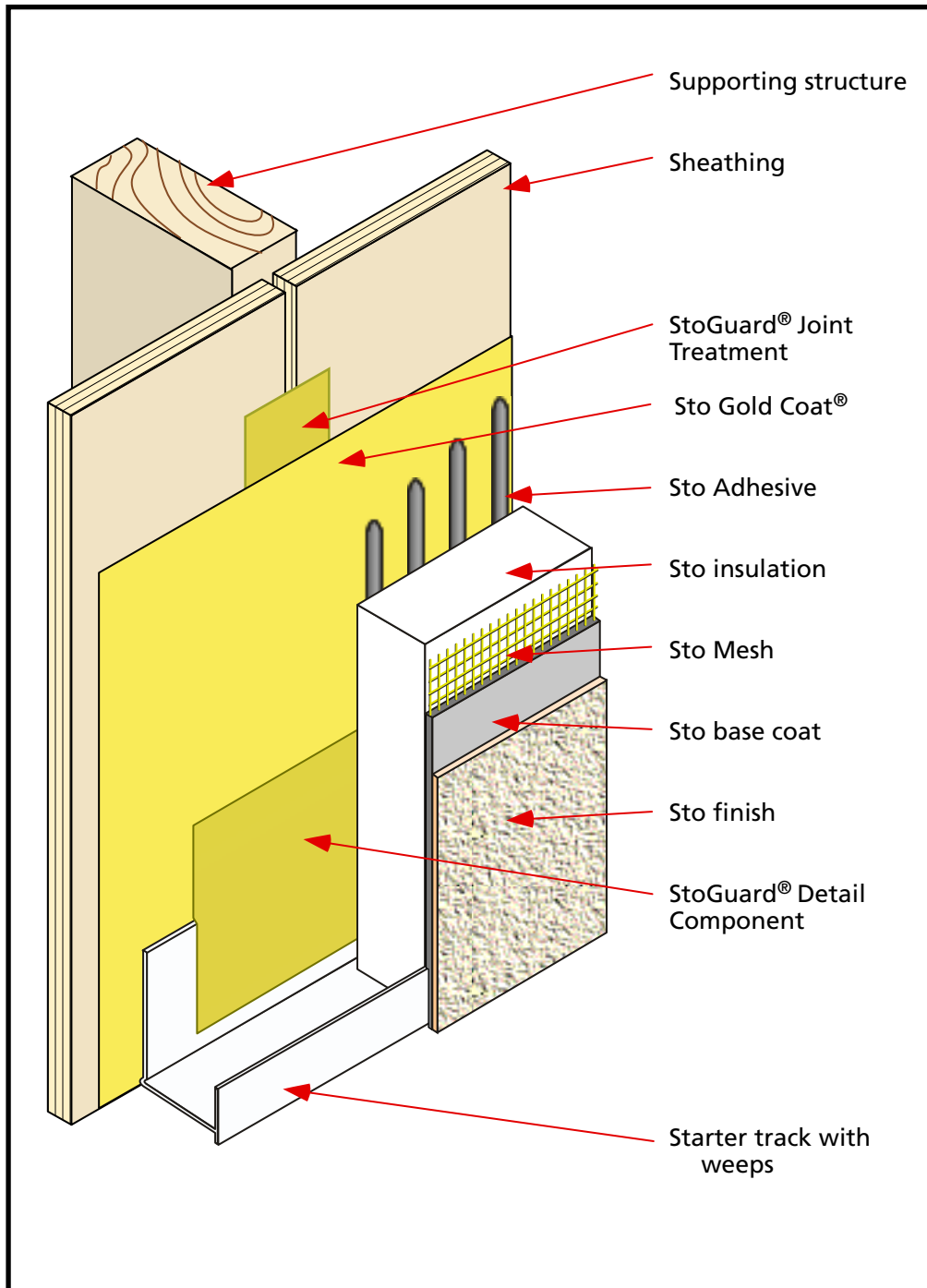
Description	Detail No.
System Components	2.00
System Termination at Grade	2.10
Termination at Grade with Below Grade Waterproofing	2.11
Rough Opening Preparation	2.20
Head Flashing Preparation	2.21
Rough Opening Sill Preparation	2.22
Flanged Window Head	2.23
Sill Flashing: Nail Fin Window	2.24
Sill Flashing: Brick Mold Window	2.26
Deck Flashing	2.32
Floor Line Joint	2.50
Termination at Roof Rake	2.62
Surface Mount Penetration	2.73
Downspout Attachment	2.74



# StoTherm® ci System Components over Wood Frame

Detail No.: 2.00

Date: January 2015



## Notes:

- 1] Detail shows the components of a StoTherm ci Exterior Insulation and Finish System (EIFS) with StoGuard Moisture Protection over wood frame construction.
- 2] StoGuard detail component options:
  - a) StoGuard RapidFill
  - b) Sto Gold Fill and StoGuard Mesh
  - c) Sto Gold Coat with StoGuard Fabric
- 3] StoGuard joint treatment options:
  - a) StoGuard RapidFill
  - b) Sto Gold Fill and StoGuard Mesh
  - c) Sto Gold Coat with StoGuard Fabric
  - d) StoGuard RapidSeal with StoGuard Mesh
- 4] StoGuard door and window rough opening options:
  - a) StoGuard RapidSeal
  - b) Sto Gold Fill and StoGuard Mesh
  - c) Sto Gold Coat with StoGuard Fabric

## ATTENTION

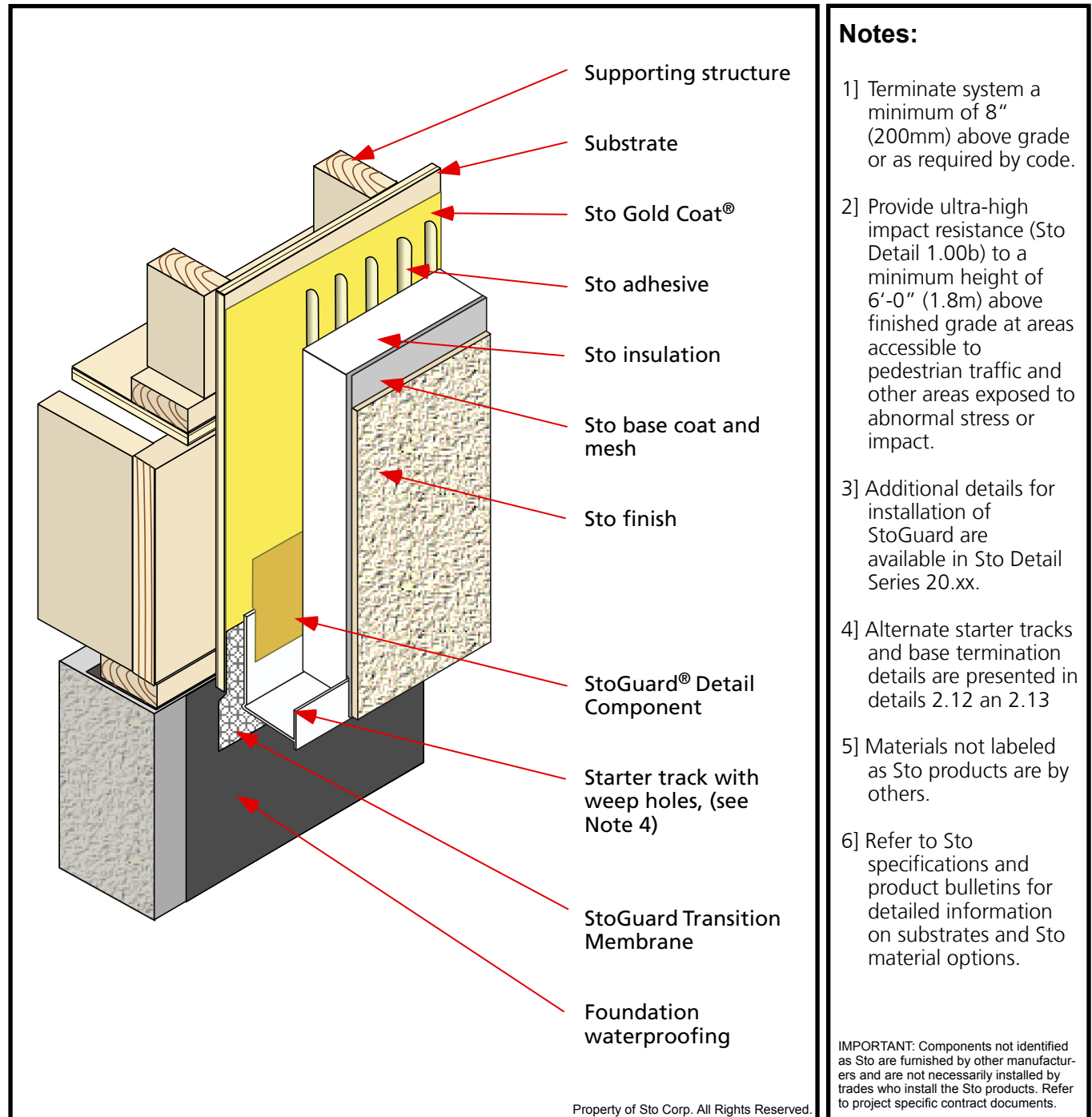
Sto products are intended for use by qualified professional contractors, not consumers, as a component of a larger construction assembly as specified by a qualified design professional, general contractor or builder. They should be installed in accordance with those specifications and Sto's instructions. Sto Corp. disclaims all, and assumes no, liability for on-site inspections, for its products applied improperly, or by unqualified persons or entities, or as part of an improperly designed or constructed building, for the nonperformance of adjacent building components or assemblies, or for other construction activities beyond Sto's control. Improper use of Sto products or use as part of an improperly designed or constructed larger assembly or building may result in serious damage to Sto products, and to the structure of the building or its components.

**STO CORP. DISCLAIMS ALL WARRANTIES, EXPRESSED OR IMPLIED EXCEPT FOR EXPLICIT LIMITED WRITTEN WARRANTIES ISSUED TO AND ACCEPTED BY BUILDING OWNERS IN ACCORDANCE WITH STO'S WARRANTY PROGRAMS WHICH ARE SUBJECT TO CHANGE FROM TIME TO TIME.** For the fullest, most current information on proper application, clean-up, mixing and other specifications and warranties, cautions and disclaimers, please refer to the Sto Corp. website, [www.stocorp.com](http://www.stocorp.com).

[www.stocorp.com](http://www.stocorp.com)

# Sto Therm® ci System Termination at Grade over Wood Frame

Date: January 2015



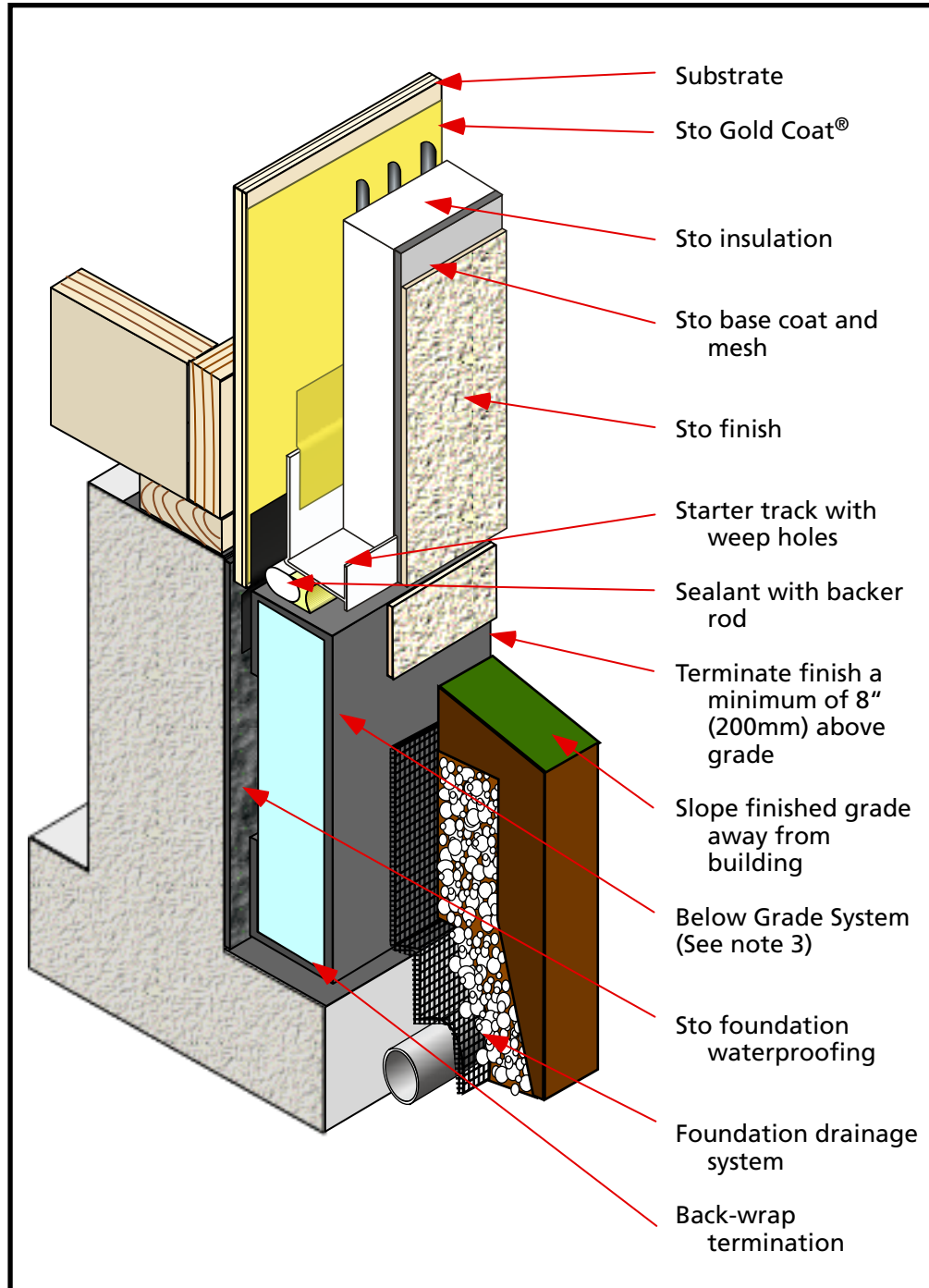
## Attention

Sto products are intended for use by qualified professional contractors, not consumers, as a component of a larger construction assembly as specified by a qualified design professional, general contractor or builder. They should be installed in accordance with those specifications and Sto's instructions. Sto Corp. disclaims all, and assumes no, liability for on-site inspections, for its products applied improperly, or by unqualified persons or entities, or as part of an improperly designed or constructed building, for the nonperformance of adjacent building components or assemblies, or for other construction activities beyond Sto's control. Improper use of Sto products or use as part of an improperly designed or constructed larger assembly or building may result in serious damage to Sto products, and to the structure of the building or its components. **STO CORP. DISCLAIMS ALL WARRANTIES EXPRESS OR IMPLIED EXCEPT FOR EXPLICIT LIMITED WRITTEN WARRANTIES ISSUED TO AND ACCEPTED BY BUILDING OWNERS IN ACCORDANCE WITH STO'S WARRANTY PROGRAMS WHICH ARE SUBJECT TO CHANGE FROM TIME TO TIME.** For the fullest, most current information on proper application, clean-up, mixing and other specifications and warranties, cautions and disclaimers, please refer to the Sto Corp. website, [www.stocorp.com](http://www.stocorp.com).

[www.stocorp.com](http://www.stocorp.com)

# StoTherm® ci Termination at Grade with Below Grade Waterproofing

Date: January 2015



**Notes:**

- 1] Local codes may prohibit foam plastic below grade. Consult codes before constructing this detail.
- 2] Melting snow and ice may hold water against the system for prolonged periods, resulting in greater maintenance requirements for the finish. In these locations provide greater separation between the finish and finished grade.
- 3] Consult Sto for information on Below Grade System.

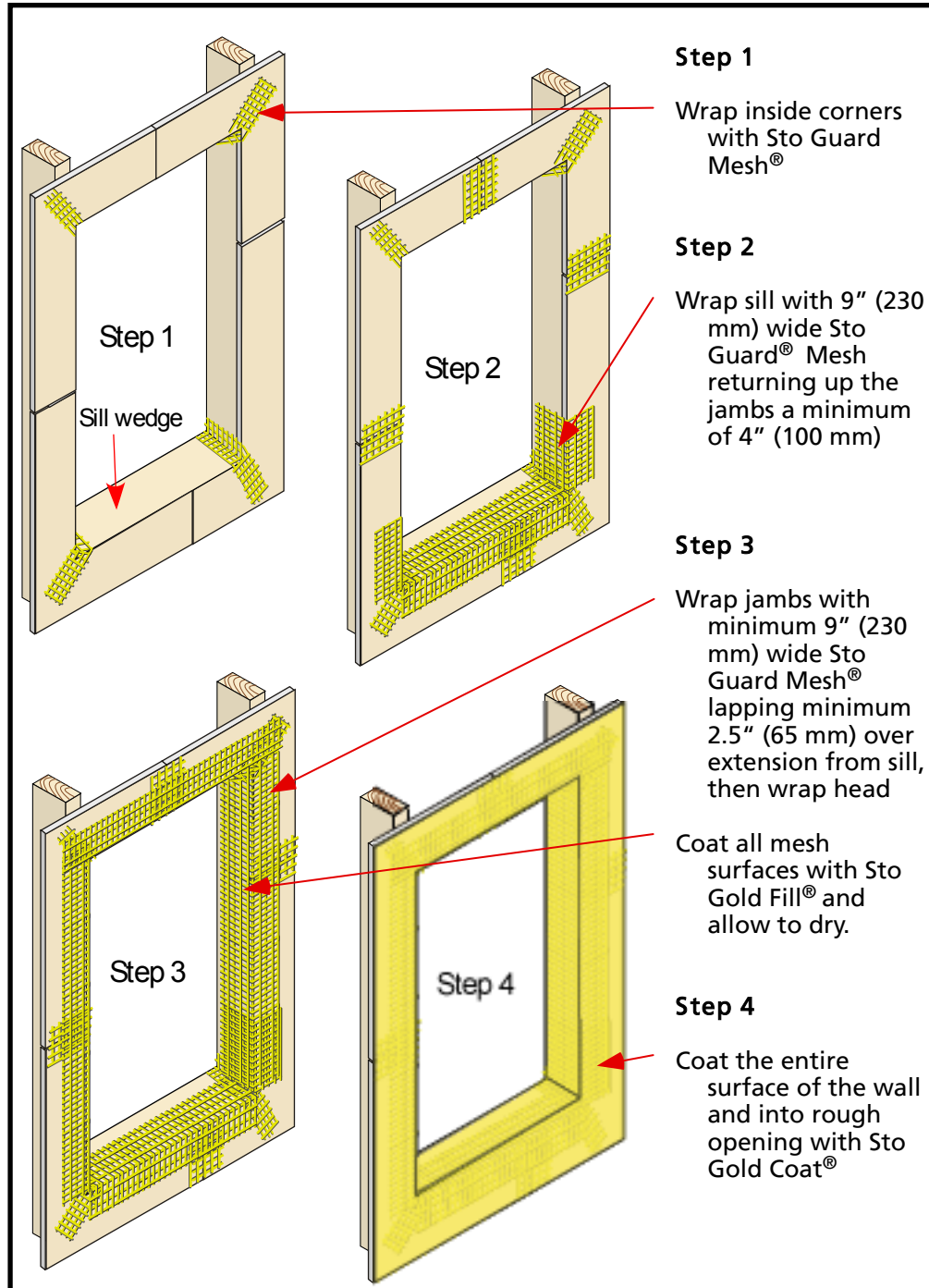
**ATTENTION**

[www.stocorp.com](http://www.stocorp.com)

Sto products are intended for use by qualified professional contractors, not consumers, as a component of a larger construction assembly as specified by a qualified design professional, general contractor or builder. They should be installed in accordance with those specifications and Sto's instructions. Sto Corp. disclaims all, and assumes no, liability for on-site inspections, for its products applied improperly, or by unqualified persons or entities, or as part of an improperly designed or constructed building, for the nonperformance of adjacent building components or assemblies, or for other construction activities beyond Sto's control. Improper use of Sto products or use as part of an improperly designed or constructed larger assembly or building may result in serious damage to Sto products, and to the structure of the building or its components.

STO CORP. DISCLAIMS ALL WARRANTIES EXPRESSED OR IMPLIED EXCEPT FOR EXPLICIT LIMITED WRITTEN WARRANTIES ISSUED TO AND ACCEPTED BY BUILDING OWNERS IN ACCORDANCE WITH STO'S WARRANTY PROGRAMS WHICH ARE SUBJECT TO CHANGE FROM TIME TO TIME. For the fullest, most current information on proper application, clean-up, mixing and other specifications and warranties, cautions and disclaimers, please refer to the Sto Corp. website, [www.stocorp.com](http://www.stocorp.com).

# StoTherm® ci Rough Opening Preparation on Wood Frame



**Notes:**

- 1] Prepare opening prior to the installation of the window or mechanical equipment.
  - 2] Incorporate flashing as illustrated in 2.21 and 2.22 or as per other details where flashing is shown\* (e.g. 2.32 ).
  - 3] The complete installation of window or mechanical equipment should include an airseal between the object and the Sto Guard® protection inbound of the outer sealant joint.
- \* See details 20.20F and 20.20R for alternative options.

**ATTENTION**

[www.stocorp.com](http://www.stocorp.com)

Sto products are intended for use by qualified professional contractors, not consumers, as a component of a larger construction assembly as specified by a qualified design professional, general contractor or builder. They should be installed in accordance with those specifications and Sto's instructions. Sto Corp. disclaims all, and assumes no, liability for on-site inspections, for its products applied improperly, or by unqualified persons or entities, or as part of an improperly designed or constructed building, for the nonperformance of adjacent building components or assemblies, or for other construction activities beyond Sto's control. Improper use of Sto products or use as part of an improperly designed or constructed larger assembly or building may result in serious damage to Sto products, and to the structure of the building or its components.

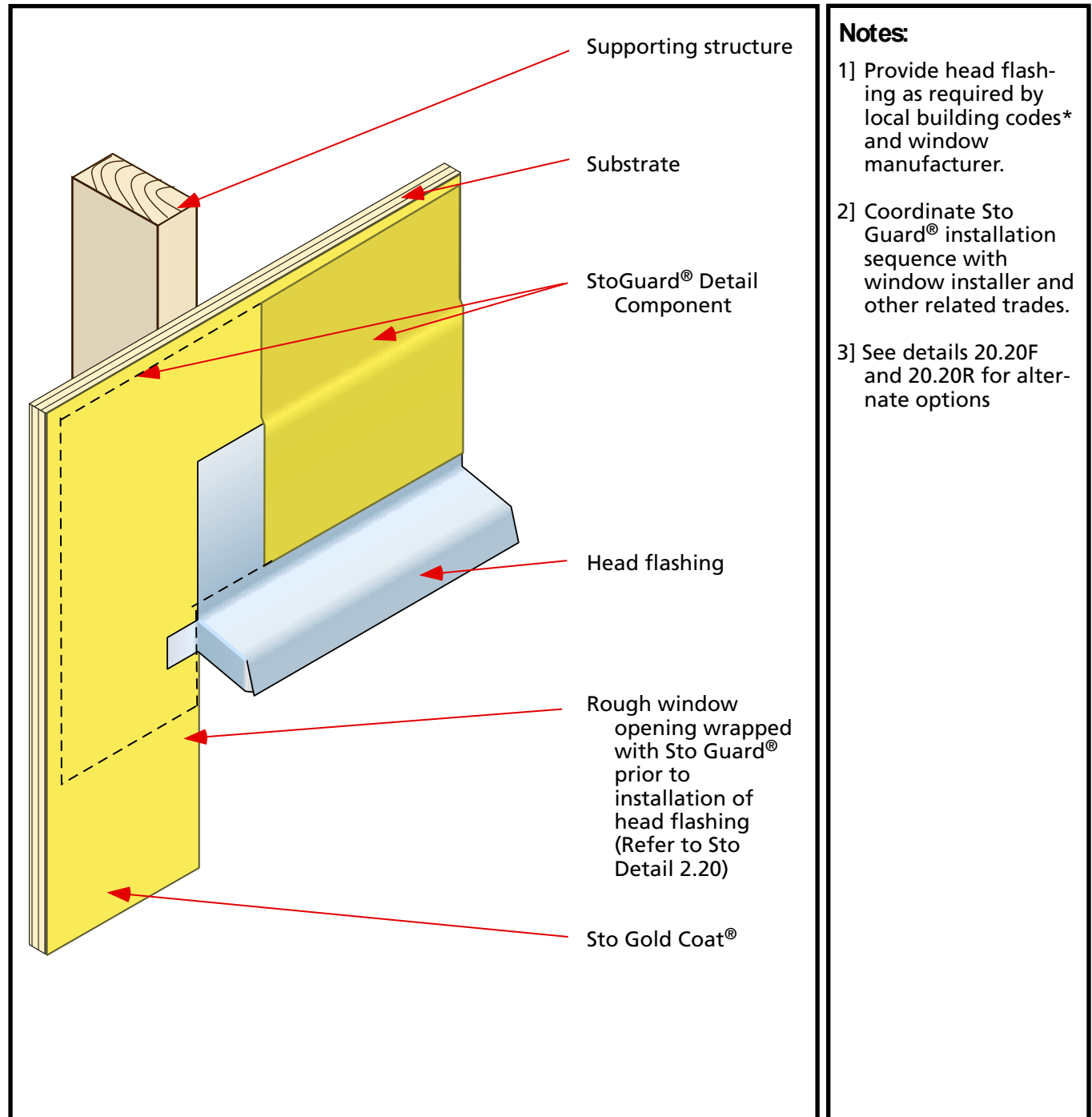
STO CORP. DISCLAIMS ALL WARRANTIES EXPRESSED OR IMPLIED EXCEPT FOR EXPLICIT LIMITED WRITTEN WARRANTIES ISSUED TO AND ACCEPTED BY BUILDING OWNERS IN ACCORDANCE WITH STO'S WARRANTY PROGRAMS WHICH ARE SUBJECT TO CHANGE FROM TIME TO TIME. For the fullest, most current information on proper application, clean-up, mixing and other specifications and warranties, cautions and disclaimers, please refer to the Sto Corp. website, [www.stocorp.com](http://www.stocorp.com).



# StoTherm® ci Head Flashing Preparation over Wood Frame

Detail No.: 2.21

Date: January 2015



ATTENTION

[www.stocorp.com](http://www.stocorp.com)

Sto products are intended for use by qualified professional contractors, not consumers, as a component of a larger construction assembly as specified by a qualified design professional, general contractor or builder. They should be installed in accordance with those specifications and Sto's instructions. Sto Corp. disclaims all, and assumes no, liability for on-site inspections, for its products applied improperly, or by unqualified persons or entities, or as part of an improperly designed or constructed building, for the nonperformance of adjacent building components or assemblies, or for other construction activities beyond Sto's control. Improper use of Sto products or use as part of an improperly designed or constructed larger assembly or building may result in serious damage to Sto products, and to the structure of the building or its components.

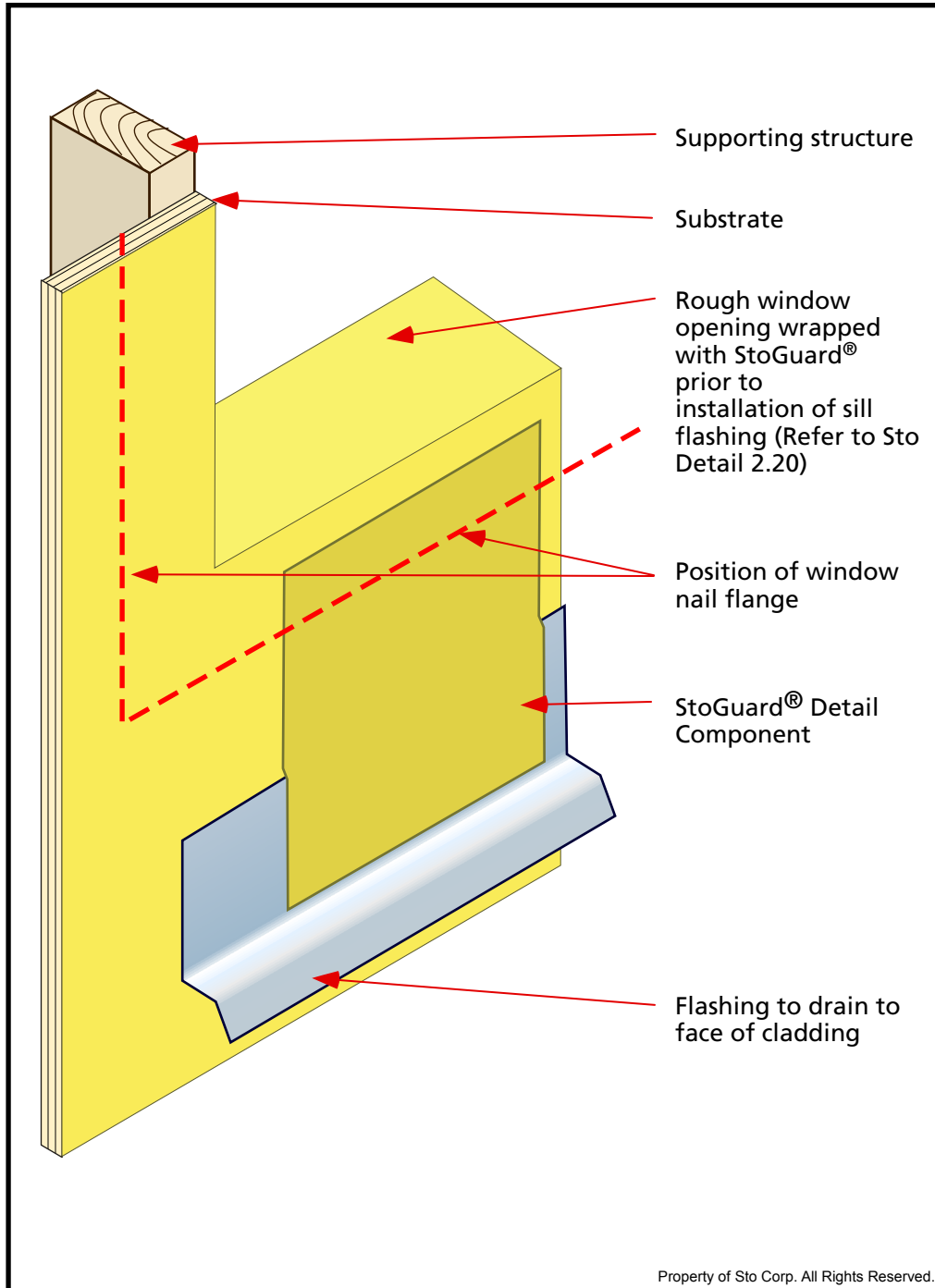
STO CORP. DISCLAIMS ALL WARRANTIES EXPRESSED OR IMPLIED EXCEPT FOR EXPLICIT LIMITED WRITTEN WARRANTIES ISSUED TO AND ACCEPTED BY BUILDING OWNERS IN ACCORDANCE WITH STO'S WARRANTY PROGRAMS WHICH ARE SUBJECT TO CHANGE FROM TIME TO TIME. For the fullest, most current information on proper application, clean-up, mixing and other specifications and warranties, cautions and disclaimers, please refer to the Sto Corp. website, [www.stocorp.com](http://www.stocorp.com).

# StoTherm® ci

## Rough Opening Sill Preparation over Wood Frame

Detail No.: 2.22

Date: January 2015



### Notes:

- 1] Prepare rough opening as illustrated in Sto Detail 2.20.
- 2] Provide flashing as part of the sub-sill drainage assembly used in lieu of pan flashing.
- 3] Size width of flashing to drain water penetration through the window and the perimeter sealant joint.
- 4] Coordinate StoGuard installation sequence with window installer and other related trades.
- 5] Install window so that adequate space for drainage is maintained between nail fin and StoGuard.
- 6] The complete installation of window or mechanical equipment should include an air seal connection between the object and StoGuard Waterproofing/Air Barrier. Provide the air seal connection inbound of the outer perimeter sealant joint
- 7] Additional transition membrane treatments are presented in Sto Detail Series 20.xx.
- 8] Refer to Sto specifications and product bulletins for detailed information on substrates and Sto material options.

IMPORTANT: Components not identified as Sto are furnished by other manufacturers and are not necessarily installed by trades who install the Sto products. Refer to project specific contract documents.

### Attention

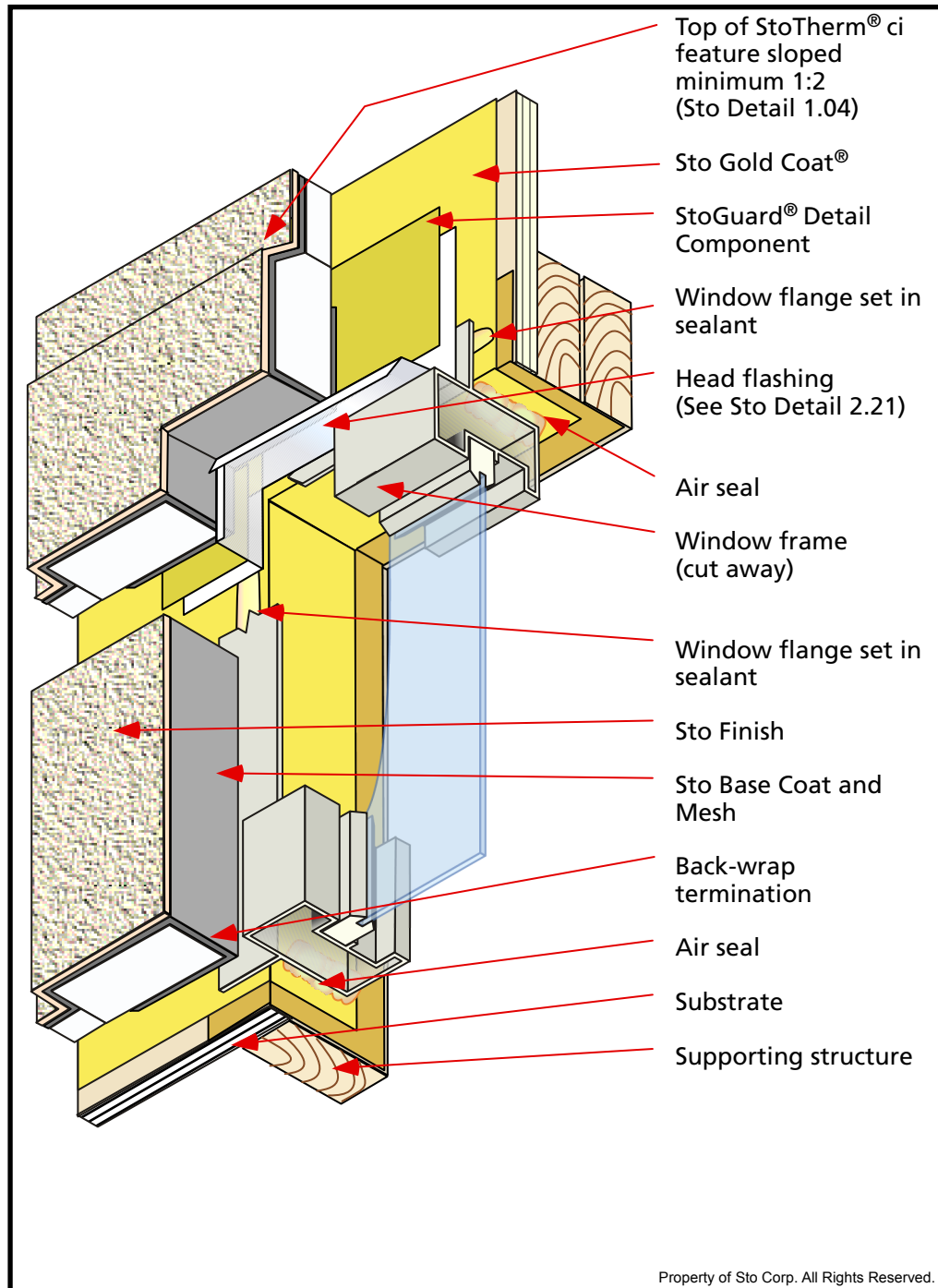
Sto products are intended for use by qualified professional contractors, not consumers, as a component of a larger construction assembly as specified by a qualified design professional, general contractor or builder. They should be installed in accordance with those specifications and Sto's instructions. Sto Corp. disclaims all, and assumes no, liability for on-site inspections, for its products applied improperly, or by unqualified persons or entities, or as part of an improperly designed or constructed building, for the nonperformance of adjacent building components or assemblies, or for other construction activities beyond Sto's control. Improper use of Sto products or use as part of an improperly designed or constructed larger assembly or building may result in serious damage to Sto products, and to the structure of the building or its components. **STO CORP. DISCLAIMS ALL WARRANTIES EXPRESS OR IMPLIED EXCEPT FOR EXPLICIT LIMITED WRITTEN WARRANTIES ISSUED TO AND ACCEPTED BY BUILDING OWNERS IN ACCORDANCE WITH STO'S WARRANTY PROGRAMS WHICH ARE SUBJECT TO CHANGE FROM TIME TO TIME.** For the fullest, most current information on proper application, clean-up, mixing and other specifications and warranties, cautions and disclaimers, please refer to the Sto Corp. website, [www.stocorp.com](http://www.stocorp.com).

[www.stocorp.com](http://www.stocorp.com)



# StoTherm® ci Flanged Window Head over Wood Frame

Date: January 2015

**Notes:**

- 1) Prepare rough opening as illustrated in Sto Detail 2.20.
- 2) Provide flashing over window as mandated by code.
- 3) Coordinate StoGuard installation sequence with window installer and other related trades.
- 4) Install window so that adequate space for drainage is maintained between nail fin and StoGuard.
- 5) The complete installation of window or mechanical equipment should include an air seal connection between the object and StoGuard Waterproofing/Air barrier. Provide the air seal connection inbound of the outer perimeter sealant joint.
- 6) Refer to Sto specifications and product bulletins for detailed information on substrates and Sto material options.

IMPORTANT: Components not identified as Sto are furnished by other manufacturers and are not necessarily installed by trades who install the Sto products. Refer to project specific contract documents.

**Attention**

Sto products are intended for use by qualified professional contractors, not consumers, as a component of a larger construction assembly as specified by a qualified design professional, general contractor or builder. They should be installed in accordance with those specifications and Sto's instructions. Sto Corp. disclaims all, and assumes no, liability for on-site inspections, for its products applied improperly, or by unqualified persons or entities, or as part of an improperly designed or constructed building, for the nonperformance of adjacent building components or assemblies, or for other construction activities beyond Sto's control. Improper use of Sto products or use as part of an improperly designed or constructed larger assembly or building may result in serious damage to Sto products, and to the structure of the building or its components. **STO CORP. DISCLAIMS ALL WARRANTIES EXPRESS OR IMPLIED EXCEPT FOR EXPLICIT LIMITED WRITTEN WARRANTIES ISSUED TO AND ACCEPTED BY BUILDING OWNERS IN ACCORDANCE WITH STO'S WARRANTY PROGRAMS WHICH ARE SUBJECT TO CHANGE FROM TIME TO TIME.** For the fullest, most current information on proper application, clean-up, mixing and other specifications and warranties, cautions and disclaimers, please refer to the Sto Corp. website, [www.stocorp.com](http://www.stocorp.com).

[www.stocorp.com](http://www.stocorp.com)

# StoTherm® ci

## Sill Flashing: Nail Fin Window over Wood Frame

Detail No.: 2.24

Date: January 2015

**Step 1**

Prepare opening with StoGuard® (Sto Detail 2.20)

**Step 2**

Install window with seals at head (Sto Detail 2.23) and jamb flanges

Install spacers at sill flange

Install sill flashing (Sto Detail 2.22)

**Step 3**

Install air seal at interior perimeter

Install sill feature to permit drainage from the window

**Step 4**

Install backer rod and sealant around window perimeter

**Notes:**

- 1] Prepare rough opening as illustrated in Sto Detail 2.20.
- 2] Provide flashing as part of the sub-sill drainage assembly used in lieu of pan flashing.
- 3] Size width of flashing to drain water penetration through the window and the perimeter sealant joint.
- 4] Coordinate StoGuard installation sequence with window installer and other related trades.
- 5] Install window so that adequate space for drainage is maintained between nail fin and StoGuard.
- 6] The complete installation of window should include an air seal connection between window and StoGuard Waterproofing/Air Barrier. Provide the air seal connection inbound of the outer perimeter sealant joint.
- 7] Refer to Sto specifications and product bulletins for detailed information on substrates and Sto material options.

IMPORTANT: Components not identified as Sto are furnished by other manufacturers and are not necessarily installed by trades who install the Sto products. Refer to project specific contract documents.

Property of Sto Corp. All Rights Reserved.

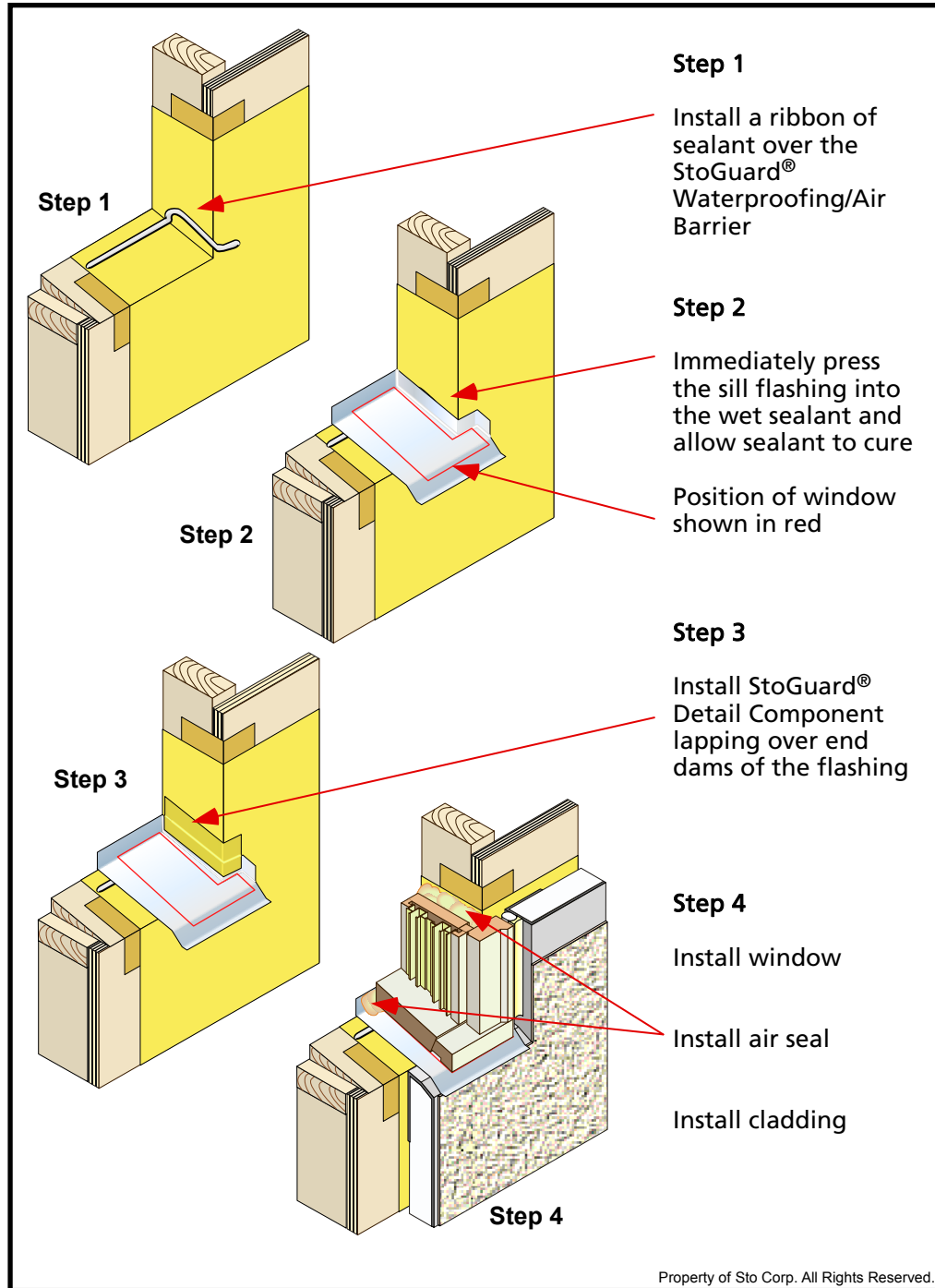
### Attention

Sto products are intended for use by qualified professional contractors, not consumers, as a component of a larger construction assembly as specified by a qualified design professional, general contractor or builder. They should be installed in accordance with those specifications and Sto's instructions. Sto Corp. disclaims all, and assumes no, liability for on-site inspections, for its products applied improperly, or by unqualified persons or entities, or as part of an improperly designed or constructed building, for the nonperformance of adjacent building components or assemblies, or for other construction activities beyond Sto's control. Improper use of Sto products or use as part of an improperly designed or constructed larger assembly or building may result in serious damage to Sto products, and to the structure of the building or its components. **STO CORP. DISCLAIMS ALL WARRANTIES EXPRESS OR IMPLIED EXCEPT FOR EXPLICIT LIMITED WRITTEN WARRANTIES ISSUED TO AND ACCEPTED BY BUILDING OWNERS IN ACCORDANCE WITH STO'S WARRANTY PROGRAMS WHICH ARE SUBJECT TO CHANGE FROM TIME TO TIME.** For the fullest, most current information on proper application, clean-up, mixing and other specifications and warranties, cautions and disclaimers, please refer to the Sto Corp. website, [www.stocorp.com](http://www.stocorp.com).

[www.stocorp.com](http://www.stocorp.com)

# StoTherm® ci Sill Flashing: Brick Mold Window over Wood Frame

Date: January 2015



## Notes:

### Step 1

- 1] Install sealant to provide an air seal between the StoGuard and pan flashing.

### Step 2

- 2] Press the pan flashing into place and, if necessary, fasten through the wet sealant.

### Step 3

- 3] Install StoGuard Detail Component over the enddam of the flashing so water draining down the jamb will be directed into the pan flashing. See details 20.20F and 20.20R for alternate options.

### Step 4

- 4] Install the window and seal the interior perimeter with an air seal.
- 5] Install the cladding and provide a seal between the head and jambs of the window. Allow water to drain from the sill.

IMPORTANT: Components not identified as Sto are furnished by other manufacturers and are not necessarily installed by trades who install the Sto products. Refer to project specific contract documents.

## Attention

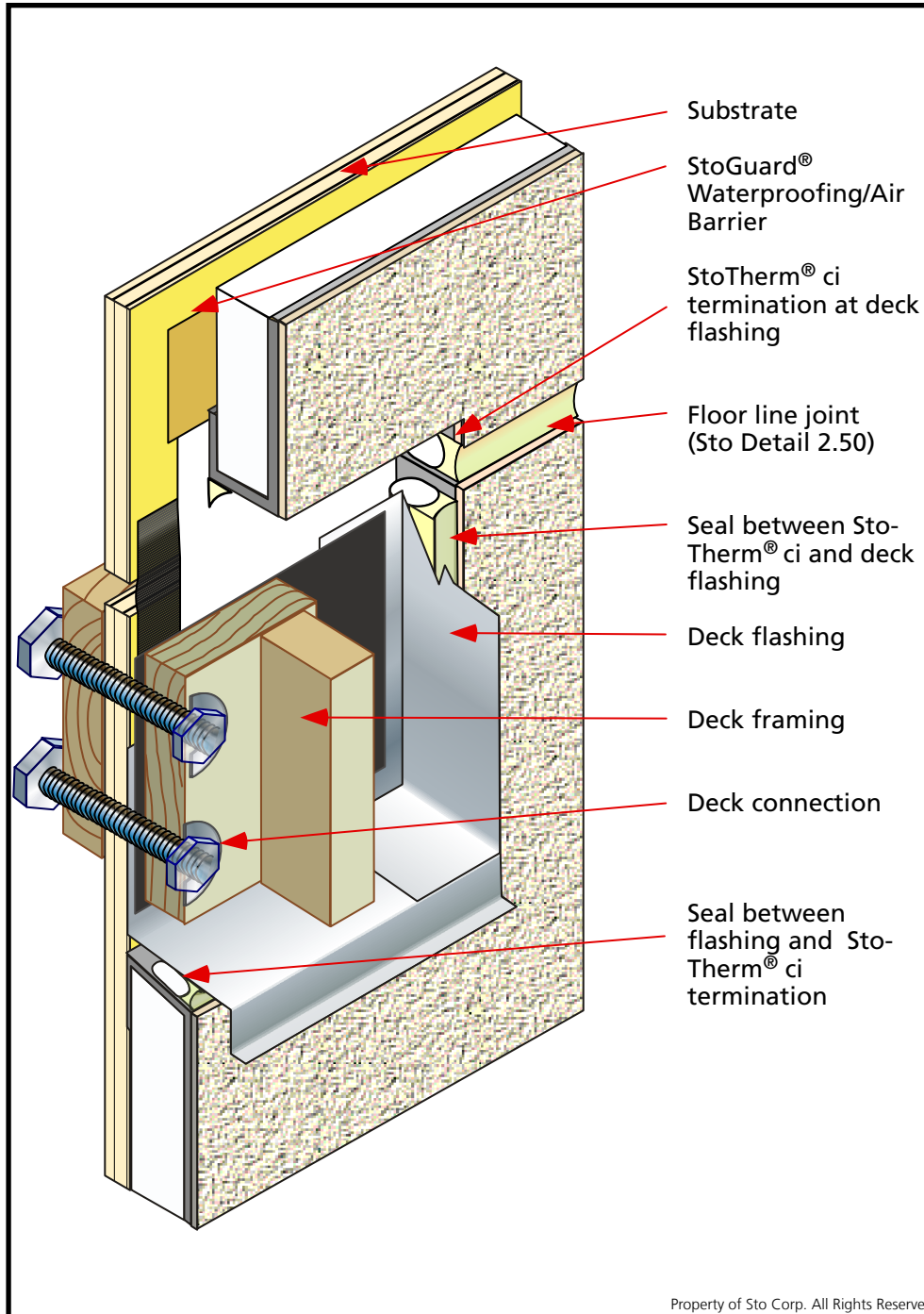
Sto products are intended for use by qualified professional contractors, not consumers, as a component of a larger construction assembly as specified by a qualified design professional, general contractor or builder. They should be installed in accordance with those specifications and Sto's instructions. Sto Corp. disclaims all, and assumes no, liability for on-site inspections, for its products applied improperly, or by unqualified persons or entities, or as part of an improperly designed or constructed building, for the nonperformance of adjacent building components or assemblies, or for other construction activities beyond Sto's control. Improper use of Sto products or use as part of an improperly designed or constructed larger assembly or building may result in serious damage to Sto products, and to the structure of the building or its components. **STO CORP. DISCLAIMS ALL WARRANTIES EXPRESS OR IMPLIED EXCEPT FOR EXPLICIT LIMITED WRITTEN WARRANTIES ISSUED TO AND ACCEPTED BY BUILDING OWNERS IN ACCORDANCE WITH STO'S WARRANTY PROGRAMS WHICH ARE SUBJECT TO CHANGE FROM TIME TO TIME.** For the fullest, most current information on proper application, clean-up, mixing and other specifications and warranties, cautions and disclaimers, please refer to the Sto Corp. website, [www.stocorp.com](http://www.stocorp.com).

[www.stocorp.com](http://www.stocorp.com)

# StoTherm® ci Deck Connection over Wood Frame

Detail No.: 2.32

Date: January 2015



## Notes:

- 1] StoTherm ci installation terminates at deck attachment.
- 2] Deck attachment should be adequately flashed and drained away from the cladding.
- 3] Maintain a 3/4" (20mm) joint between StoTherm ci termination and flashing. Provide backer rod and sealant around the perimeter of the deck flashing.
- 4] Deck assembly and attachment are not part of the StoTherm ci cladding. Caution should be exercised to ensure that water does not penetrate through the attachment into the wall assembly.
- 5] Refer to Sto specifications and product bulletins for detailed information on substrates and Sto material options.

IMPORTANT: Components not identified as Sto are furnished by other manufacturers and are not necessarily installed by trades who install the Sto products. Refer to project specific contract documents.

Property of Sto Corp. All Rights Reserved.

## Attention

Sto products are intended for use by qualified professional contractors, not consumers, as a component of a larger construction assembly as specified by a qualified design professional, general contractor or builder. They should be installed in accordance with those specifications and Sto's instructions. Sto Corp. disclaims all, and assumes no, liability for on-site inspections, for its products applied improperly, or by unqualified persons or entities, or as part of an improperly designed or constructed building, for the nonperformance of adjacent building components or assemblies, or for other construction activities beyond Sto's control. Improper use of Sto products or use as part of an improperly designed or constructed larger assembly or building may result in serious damage to Sto products, and to the structure of the building or its components. **STO CORP. DISCLAIMS ALL WARRANTIES EXPRESS OR IMPLIED EXCEPT FOR EXPLICIT LIMITED WRITTEN WARRANTIES ISSUED TO AND ACCEPTED BY BUILDING OWNERS IN ACCORDANCE WITH STO'S WARRANTY PROGRAMS WHICH ARE SUBJECT TO CHANGE FROM TIME TO TIME.** For the fullest, most current information on proper application, clean-up, mixing and other specifications and warranties, cautions and disclaimers, please refer to the Sto Corp. website, [www.stocorp.com](http://www.stocorp.com).

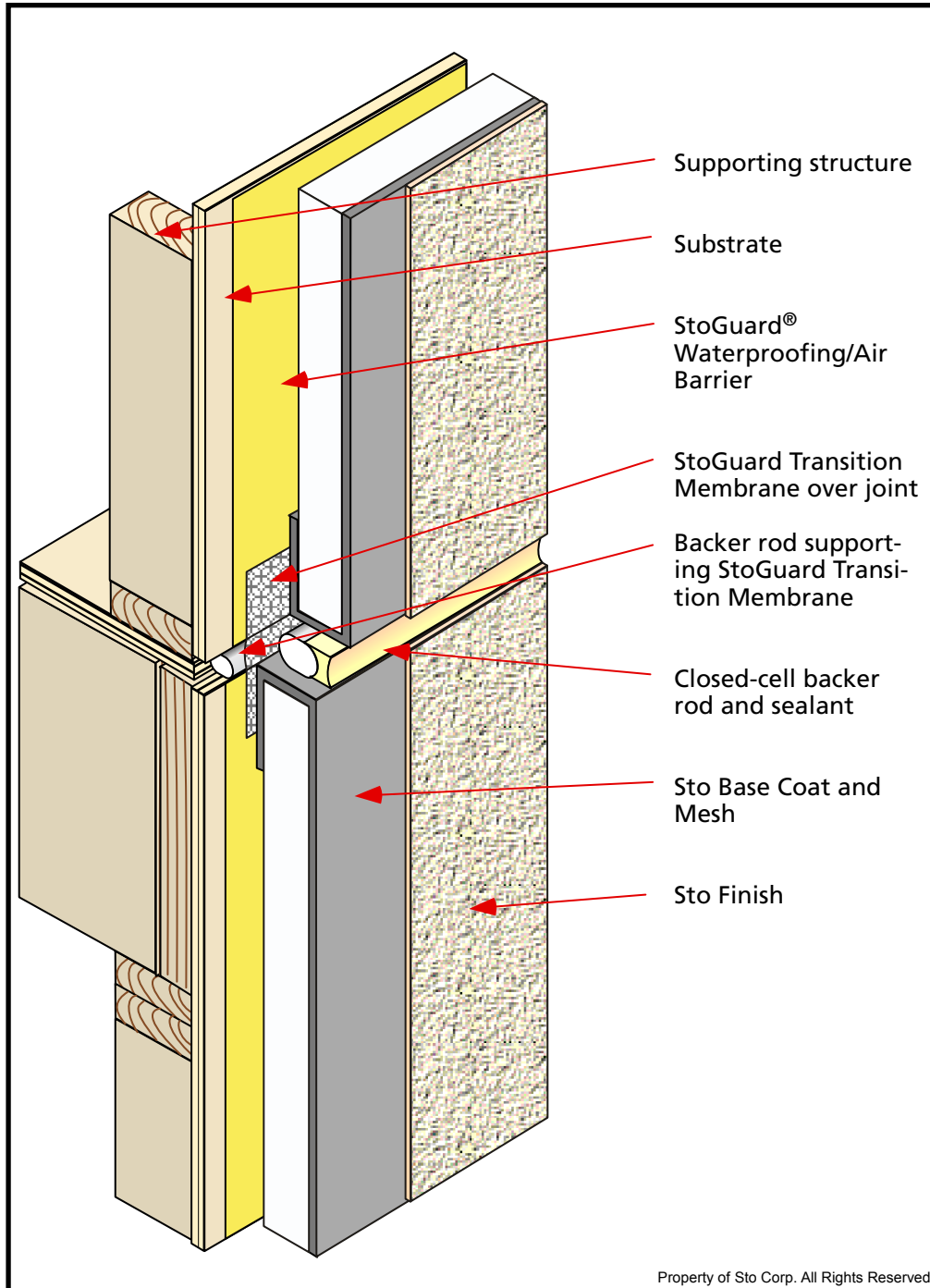
[www.stocorp.com](http://www.stocorp.com)



# StoTherm® ci Floor Line Joint over Wood Frame

Detail No.: 2.50

Date: January 2015



## Notes:

- 1] Joint required at floor lines in wood frame construction.
- 2] Gap wood sheathing edge and end joints in accordance with APA (American Plywood Association) recommendations.
- 3] Maintain waterproofing and air barrier continuity with a barrier membrane across the sheathing joint. Support the barrier membrane with a backer rod.
- 4] Refer to Sto specifications and product bulletins for detailed information on substrates and Sto material options.

IMPORTANT: Components not identified as Sto are furnished by other manufacturers and are not necessarily installed by trades who install the Sto products. Refer to project specific contract documents.

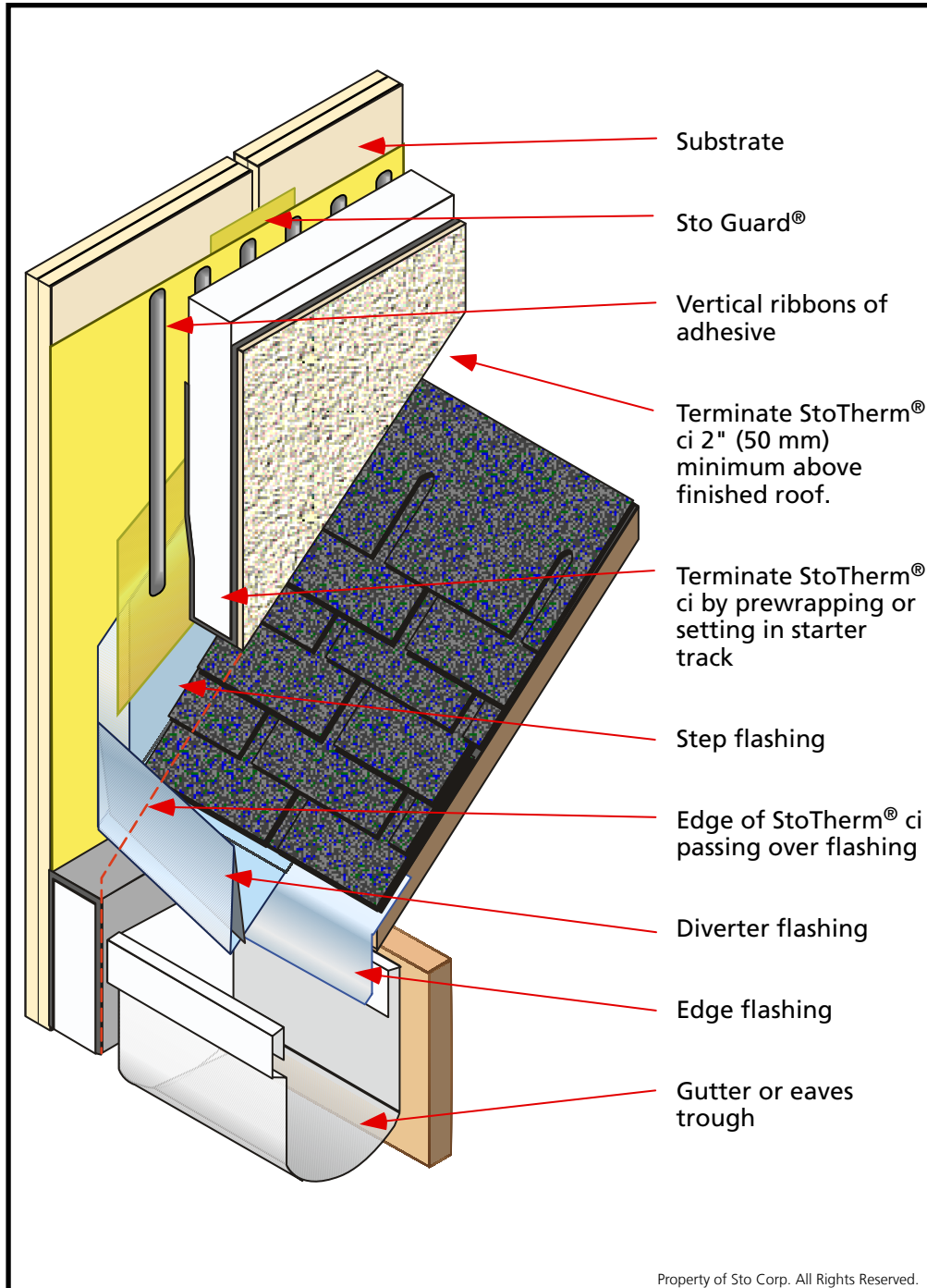
## Attention

Sto products are intended for use by qualified professional contractors, not consumers, as a component of a larger construction assembly as specified by a qualified design professional, general contractor or builder. They should be installed in accordance with those specifications and Sto's instructions. Sto Corp. disclaims all, and assumes no, liability for on-site inspections, for its products applied improperly, or by unqualified persons or entities, or as part of an improperly designed or constructed building, for the nonperformance of adjacent building components or assemblies, or for other construction activities beyond Sto's control. Improper use of Sto products or use as part of an improperly designed or constructed larger assembly or building may result in serious damage to Sto products, and to the structure of the building or its components. **STO CORP. DISCLAIMS ALL WARRANTIES EXPRESS OR IMPLIED EXCEPT FOR EXPLICIT LIMITED WRITTEN WARRANTIES ISSUED TO AND ACCEPTED BY BUILDING OWNERS IN ACCORDANCE WITH STO'S WARRANTY PROGRAMS WHICH ARE SUBJECT TO CHANGE FROM TIME TO TIME.** For the fullest, most current information on proper application, clean-up, mixing and other specifications and warranties, cautions and disclaimers, please refer to the Sto Corp. website, [www.stocorp.com](http://www.stocorp.com).

[www.stocorp.com](http://www.stocorp.com)

# StoTherm® ci Termination at Roof Rake Over Wood Frame

Date: January 2015

**Notes:**

- 1] Coordinate installation of StoGuard Waterproofing/Air Barrier and roofing.
- 2] Install StoGuard on wall prior to roof installation.
- 3] After roof installation, integrate step and diverter flashing into StoGuard to ensure drainage onto the roof.
- 4] Terminate StoTherm 2" (50 mm) minimum above finished roof.
- 5] Install gutter or eaves trough after the installation of the StoTherm to ensure adequate clearance
- 6] Refer to Sto specifications and product bulletins for detailed information on substrates and Sto material options.

IMPORTANT: Components not identified as Sto are furnished by other manufacturers and are not necessarily installed by trades who install the Sto products. Refer to project specific contract documents.

**Attention**

Sto products are intended for use by qualified professional contractors, not consumers, as a component of a larger construction assembly as specified by a qualified design professional, general contractor or builder. They should be installed in accordance with those specifications and Sto's instructions. Sto Corp. disclaims all, and assumes no, liability for on-site inspections, for its products applied improperly, or by unqualified persons or entities, or as part of an improperly designed or constructed building, for the nonperformance of adjacent building components or assemblies, or for other construction activities beyond Sto's control. Improper use of Sto products or use as part of an improperly designed or constructed larger assembly or building may result in serious damage to Sto products, and to the structure of the building or its components. **STO CORP. DISCLAIMS ALL WARRANTIES EXPRESS OR IMPLIED EXCEPT FOR EXPLICIT LIMITED WRITTEN WARRANTIES ISSUED TO AND ACCEPTED BY BUILDING OWNERS IN ACCORDANCE WITH STO'S WARRANTY PROGRAMS WHICH ARE SUBJECT TO CHANGE FROM TIME TO TIME.** For the fullest, most current information on proper application, clean-up, mixing and other specifications and warranties, cautions and disclaimers, please refer to the Sto Corp. website, [www.stocorp.com](http://www.stocorp.com).

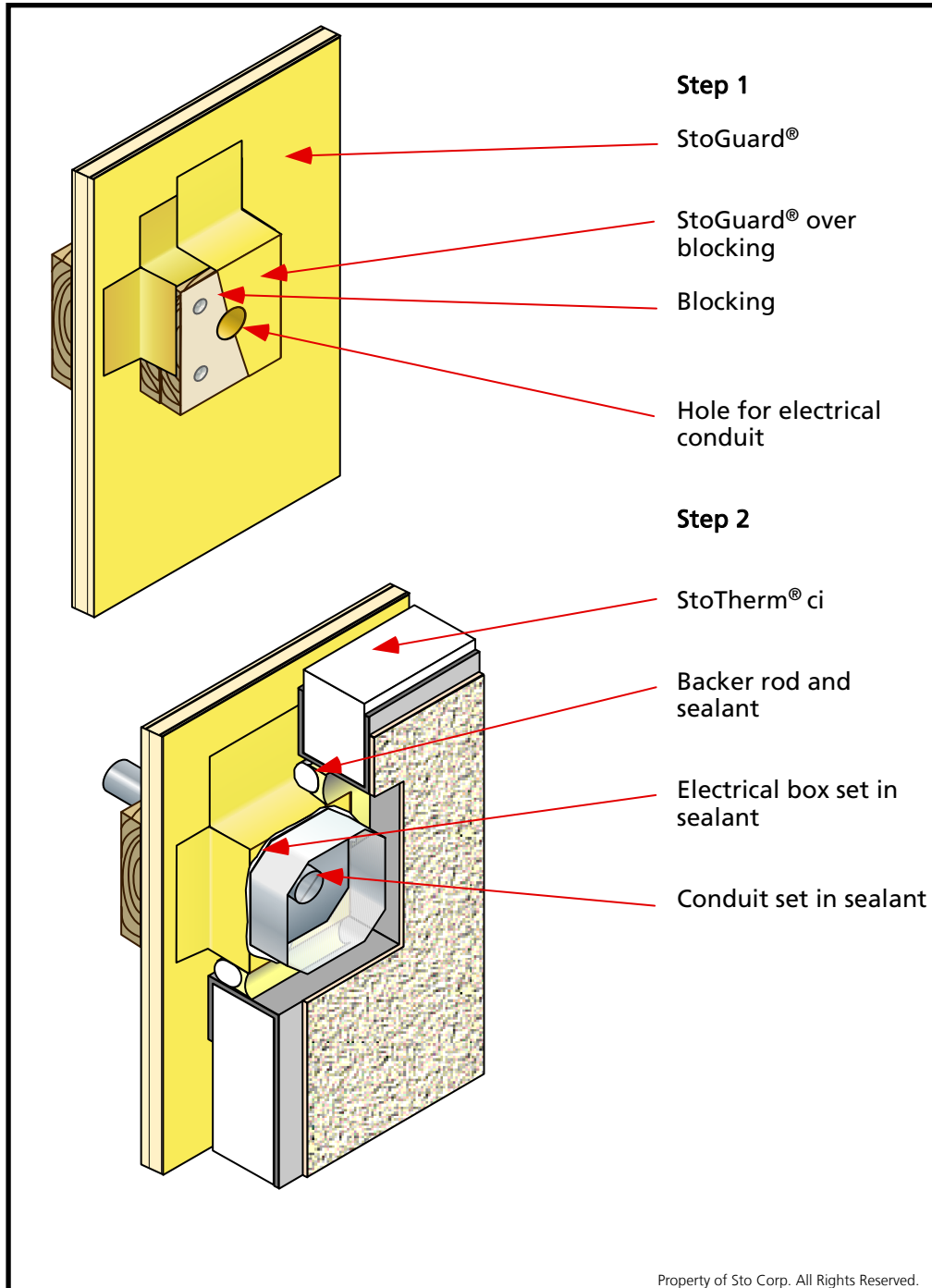
[www.stocorp.com](http://www.stocorp.com)



# StoTherm® ci Surface Mount Penetration over Wood Frame

Detail No.: 2.73

Date: January 2015



## Notes:

- 1] Install StoGuard and mount blocking where fixture is to be installed. Coat blocking with StoGuard, or install blocking to substrate and install StoGuard over entire wall surface.
- 2] Drill hole through blocking for conduit. Line hole with neutral cure sealant when installing conduit.
- 3] Install bead of sealant on back of electrical box and fasten box over blocking.
- 4] Refer to Sto specifications and product bulletins for detailed information on substrates and Sto material options.

IMPORTANT: Components not identified as Sto are furnished by other manufacturers and are not necessarily installed by trades who install the Sto products. Refer to project specific contract documents.

## Attention

Sto products are intended for use by qualified professional contractors, not consumers, as a component of a larger construction assembly as specified by a qualified design professional, general contractor or builder. They should be installed in accordance with those specifications and Sto's instructions. Sto Corp. disclaims all, and assumes no, liability for on-site inspections, for its products applied improperly, or by unqualified persons or entities, or as part of an improperly designed or constructed building, for the nonperformance of adjacent building components or assemblies, or for other construction activities beyond Sto's control. Improper use of Sto products or use as part of an improperly designed or constructed larger assembly or building may result in serious damage to Sto products, and to the structure of the building or its components. **STO CORP. DISCLAIMS ALL WARRANTIES EXPRESS OR IMPLIED EXCEPT FOR EXPLICIT LIMITED WRITTEN WARRANTIES ISSUED TO AND ACCEPTED BY BUILDING OWNERS IN ACCORDANCE WITH STO'S WARRANTY PROGRAMS WHICH ARE SUBJECT TO CHANGE FROM TIME TO TIME.** For the fullest, most current information on proper application, clean-up, mixing and other specifications and warranties, cautions and disclaimers, please refer to the Sto Corp. website, [www.stocorp.com](http://www.stocorp.com).

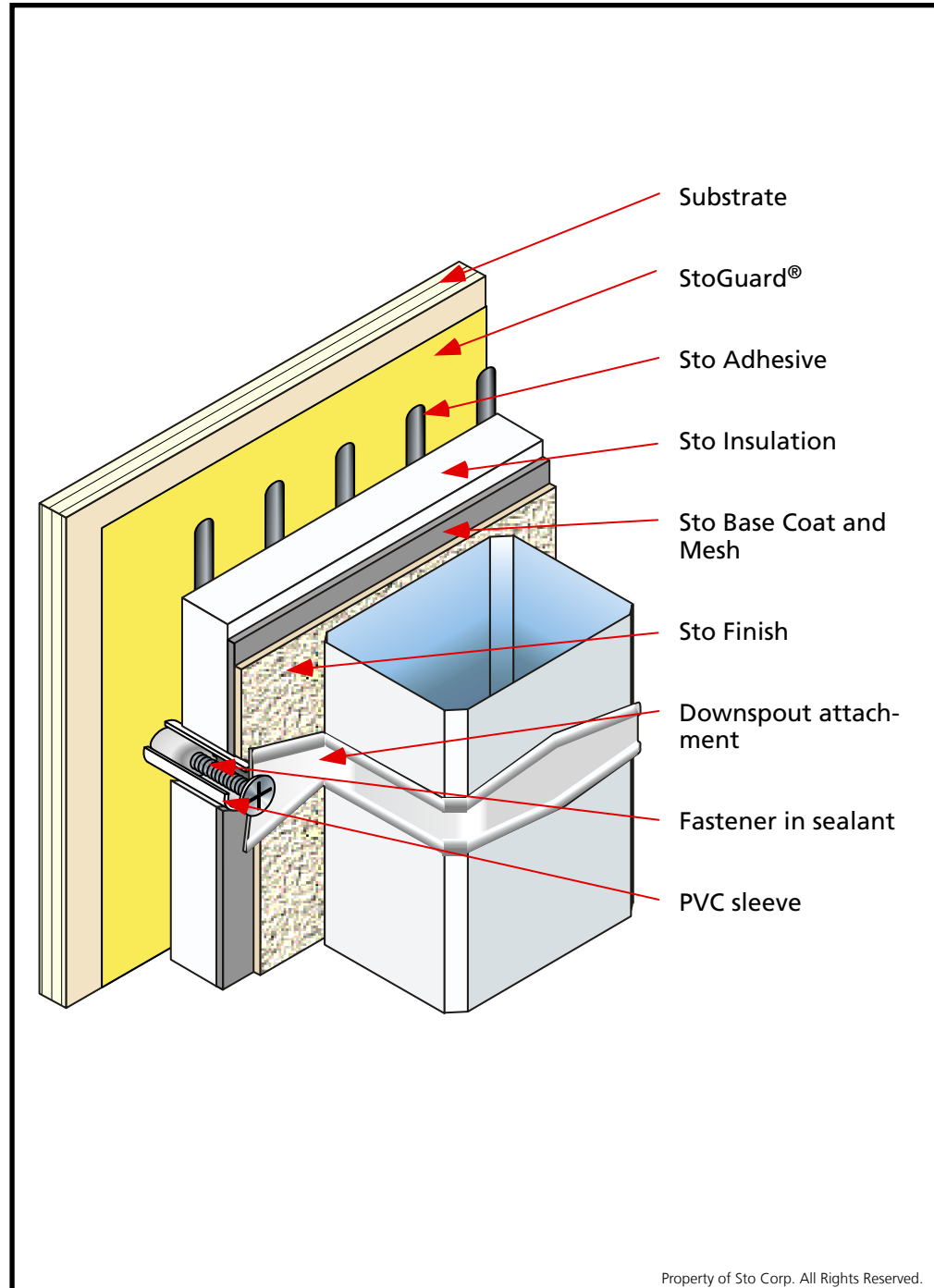
[www.stocorp.com](http://www.stocorp.com)



# StoTherm® ci Downspout Attachment

Detail No.: 2.74

Date: January 2015



## Notes:

- 1] Mark the location of the fastener on the finish.
- 2] Drill hole through StoTherm ci to sheathing.
- 3] Line hole with sealant and insert PVC sleeve 1/8" (3 mm) longer than the thickness of the StoTherm ci. Tool the excess sealant around the PVC sleeve.
- 4] Fill the PVC sleeve with sealant and immediately fasten downspout strap with screw through the wet sealant into the substrate. Tool sealant around screw head and remove excess.
- 5] Refer to Sto specifications and product bulletins for detailed information on substrates and Sto material options.

IMPORTANT: Components not identified as Sto are furnished by other manufacturers and are not necessarily installed by trades who install the Sto products. Refer to project specific contract documents.

Property of Sto Corp. All Rights Reserved.

## Attention

Sto products are intended for use by qualified professional contractors, not consumers, as a component of a larger construction assembly as specified by a qualified design professional, general contractor or builder. They should be installed in accordance with those specifications and Sto's instructions. Sto Corp. disclaims all, and assumes no, liability for on-site inspections, for its products applied improperly, or by unqualified persons or entities, or as part of an improperly designed or constructed building, for the nonperformance of adjacent building components or assemblies, or for other construction activities beyond Sto's control. Improper use of Sto products or use as part of an improperly designed or constructed larger assembly or building may result in serious damage to Sto products, and to the structure of the building or its components. **STO CORP. DISCLAIMS ALL WARRANTIES EXPRESS OR IMPLIED EXCEPT FOR EXPLICIT LIMITED WRITTEN WARRANTIES ISSUED TO AND ACCEPTED BY BUILDING OWNERS IN ACCORDANCE WITH STO'S WARRANTY PROGRAMS WHICH ARE SUBJECT TO CHANGE FROM TIME TO TIME.** For the fullest, most current information on proper application, clean-up, mixing and other specifications and warranties, cautions and disclaimers, please refer to the Sto Corp. website, [www.stocorp.com](http://www.stocorp.com).

[www.stocorp.com](http://www.stocorp.com)