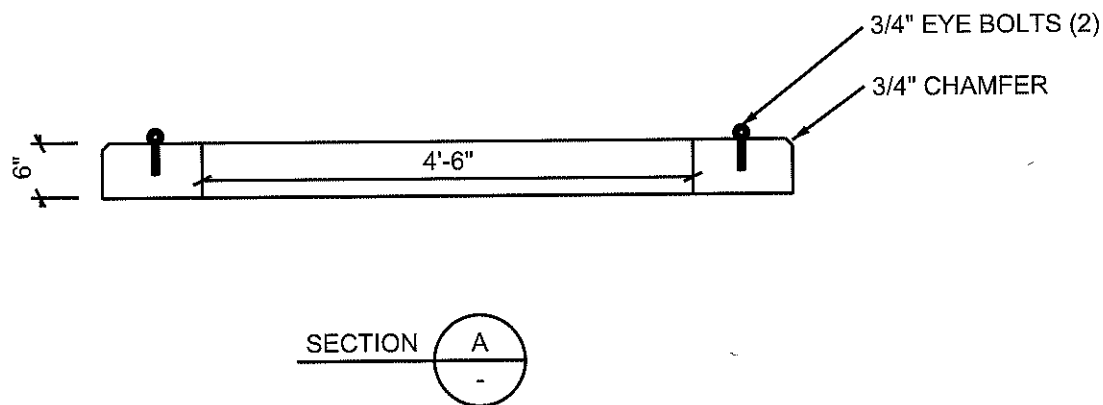


NOTES:  
 REINFORCEMENT TO BE  
 #4 REBAR @ 12" OCEW  
 WEIGHT: APPROX: 1800 LBS.



REBAR & MESH					
BAR#	MARK	LENGTHS			
		QTY.	BEND	LENGTH	WEIGHT
4		6	—	6'	
4		5	—	2'-9"	
4		4	—	4'-2"	
4		2	⌊	18"X1'-3"X1'8"	



1122 BRADWAY ROAD.  
 NORTH POLE, AK.99705  
 PH: (907) 488-9763  
 FAX: (907) 488-8300

SCALE: NO SCALE

DRAWN BY: T.E.C.

DATE 1/22/2010

REVISED: 2/10/2010

GVEA UM1-2