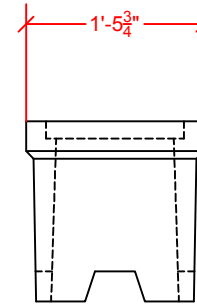


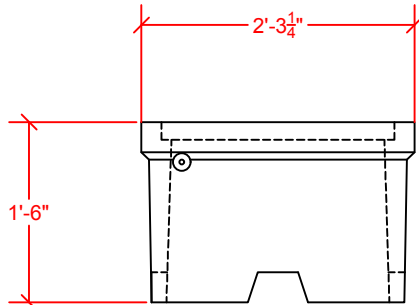
**PLAN VIEW**



**SHORT WALL PROFILE VIEW**


**TYPICAL STOCK LID LETTERING:**

- ELECTRIC
- COMMUNICATION
- LIGHTING
- GROUND



**LONG WALL PROFILE VIEW**

APPROXIMATE WEIGHT: 330 LBS (W/ COVER)  
 CONCRETE: 5,000 PSI MIX  
 REINFORCEMENT: 6X6 W2.1 WWF (ASTM A-1064)

	1122 Bradway Rd North Pole, AK 99705 PH: 907-488-9763 Fax: 907-488-8300	
	SCALE: NOT TO SCALE DATE: 11/6/18	DRAWN BY: TY JOHNSON REVISED:
FP&R STOCK ITEM CATALOGUE		
TYPE 1A JUNCTION BOX	DRAWING NUMBER 1 OF 1	