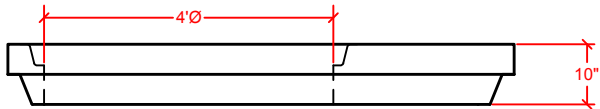
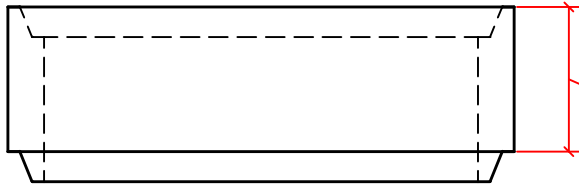


TYP MANHOLE FLAT LID

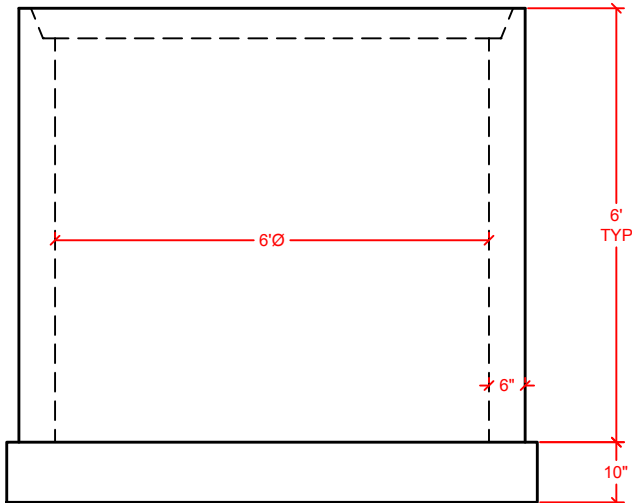


72"Ø TO 48"Ø REDUCER LID



RISER SECTION

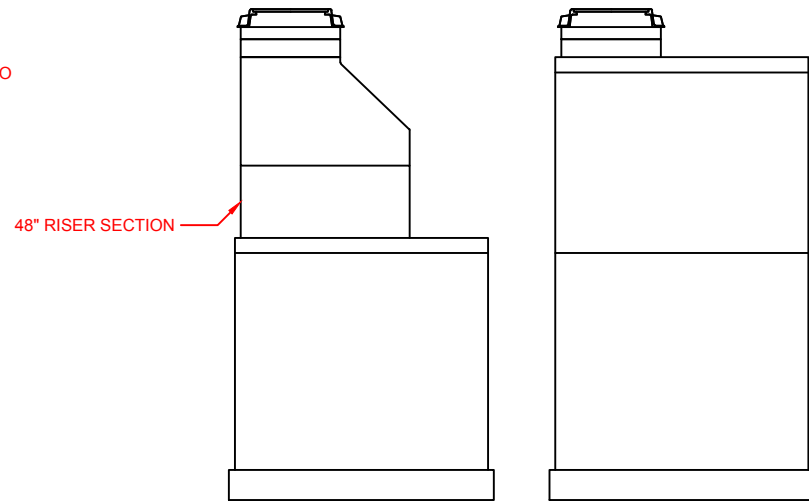
RISER SECTIONS ARE AVAILABLE FROM 1' TALL TO 5' TALL IN 1' INCREMENTS



MONOLITHIC MANHOLE BASE


NOTES:

- FP&R MANHOLES MEET ASTM C478 SPECIFICATIONS
- CONCRETE: 5,000 PSI MIX
- TYP REINFORCEMENT IN RISER SECTIONS IS 2X8-W3.4/W1.7
- MANHOLE BASE REINFORCEMENT PER GOLDEN HEART UTILITIES & COLLEGE UTILITIES CORPORATION SPECIFICATIONS
- RISER SECTIONS HAVE **EZ LIFT PINS** BY LANE INTERNATIONAL INSTALLED FOR LIFTING / SETTING APPLICATIONS
- LADDER RUNG HOLES ARE PREFORMED AND FIT 13" WIDE LANE INTERNATIONAL POLYPROPYLENE MANHOLE STEPS (1' OC)
- TYPICAL JOINT SEALANT CS102 BY CONCRETE SEALANTS INC



MH W/ REDUCER

MH W/ FLAT LID

		1122 Bradway Rd North Pole, AK 99705 PH: 907-488-9763 Fax: 907-488-8300	
		SCALE: NOT TO SCALE	DRAWN BY: TY JOHNSON
DATE: 1/7/19		REVISED:	
FP&R STOCK ITEM CATALOGUE			
72"Ø MANHOLE STANDARD PIECES		DRAWING NUMBER 1 OF 1	