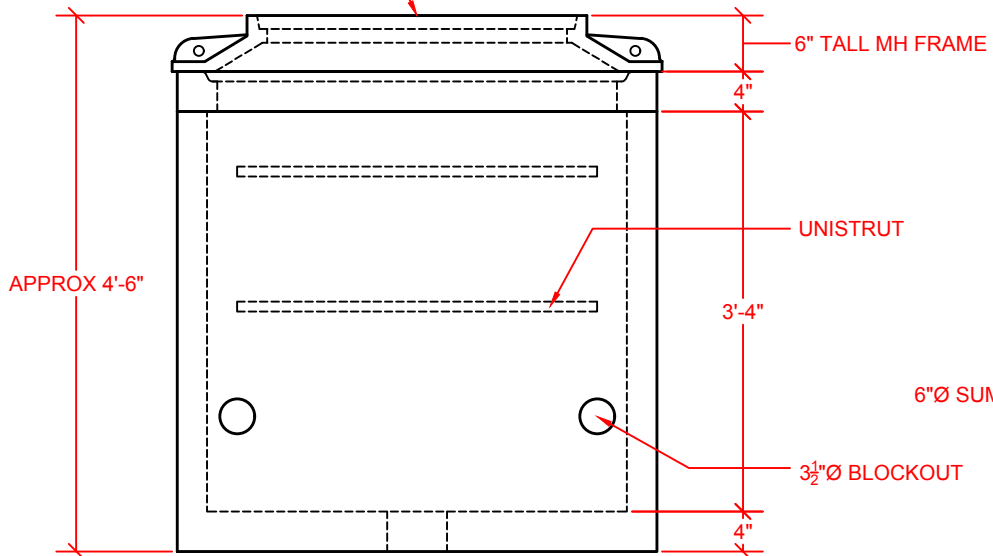
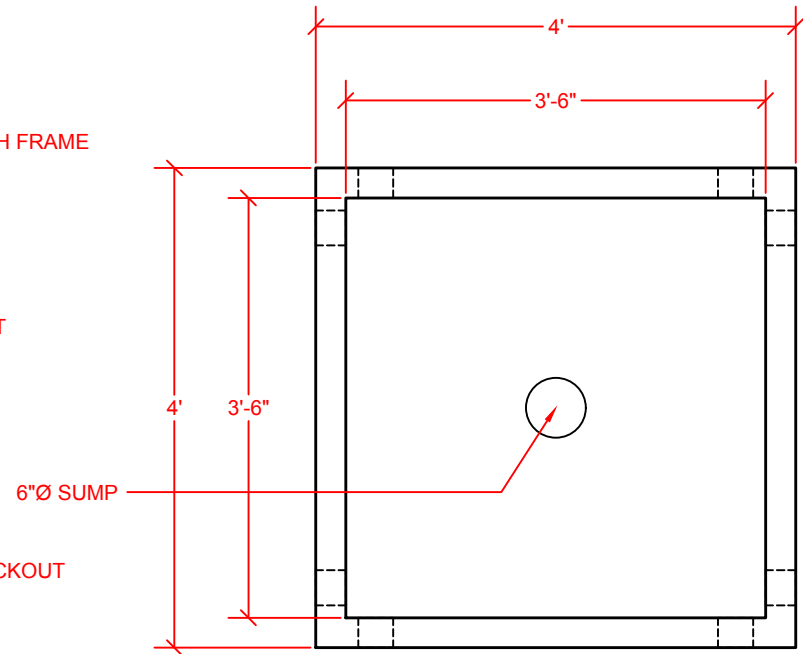


D&L A-1381 CAST IRON
FRAME & COVER



TYPICAL STACKED ELEVATION




VAULT BASE: PLAN

TYPICAL STOCK COVER LETTERING:

- ELECTRIC
- COMMUNICATION

APPROXIMATE TOTAL WEIGHT: 2,950 LBS
HEAVIEST PIECE: VAULT BASE AT 1,900 LBS

CONCRETE: 5,000 PSI MIX
REBAR: ASTM A615 GRADE 60

 Fairbanks Precast & Rebar	1122 Bradway Rd North Pole, AK 99705 PH: 907-488-9763 Fax: 907-488-8300	
	SCALE: NOT TO SCALE DATE: 11/6/18	DRAWN BY: TY JOHNSON REVISED:
FP&R STOCK ITEM CATALOGUE		
3535 VAULT	DRAWING NUMBER 1 OF 1	