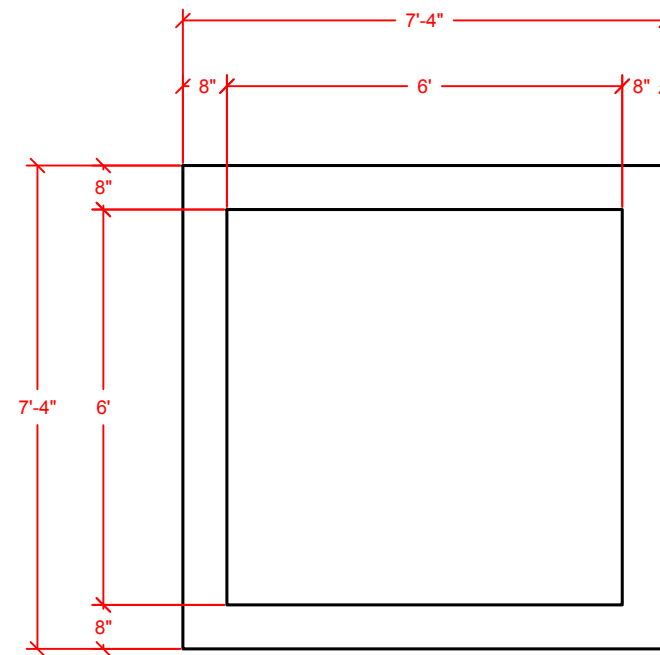
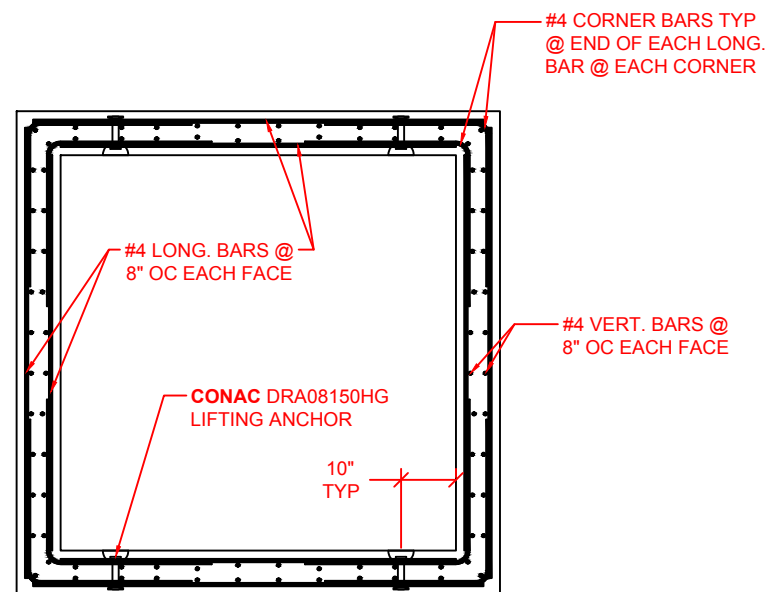


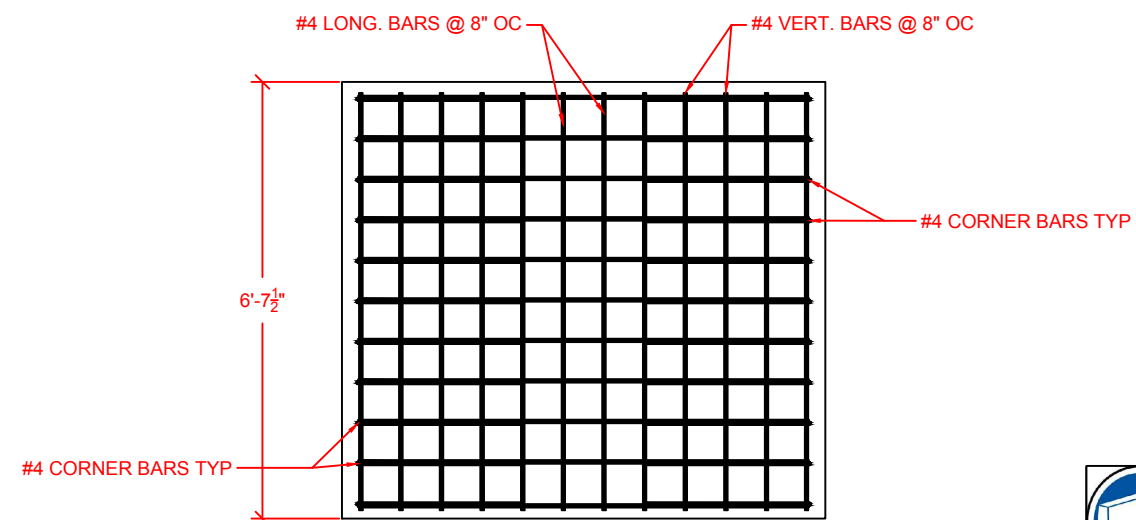
STACKED VAULT PROFILE



VAULT WALLS: PLAN
WEIGHT: 17,700 LBS

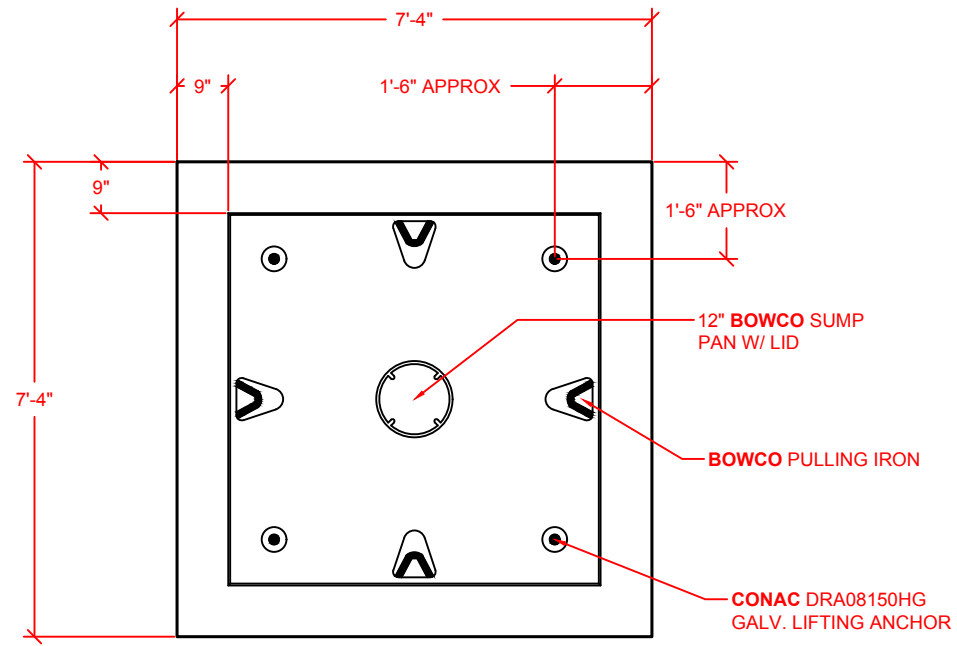


VAULT WALLS: REBAR LAYOUT

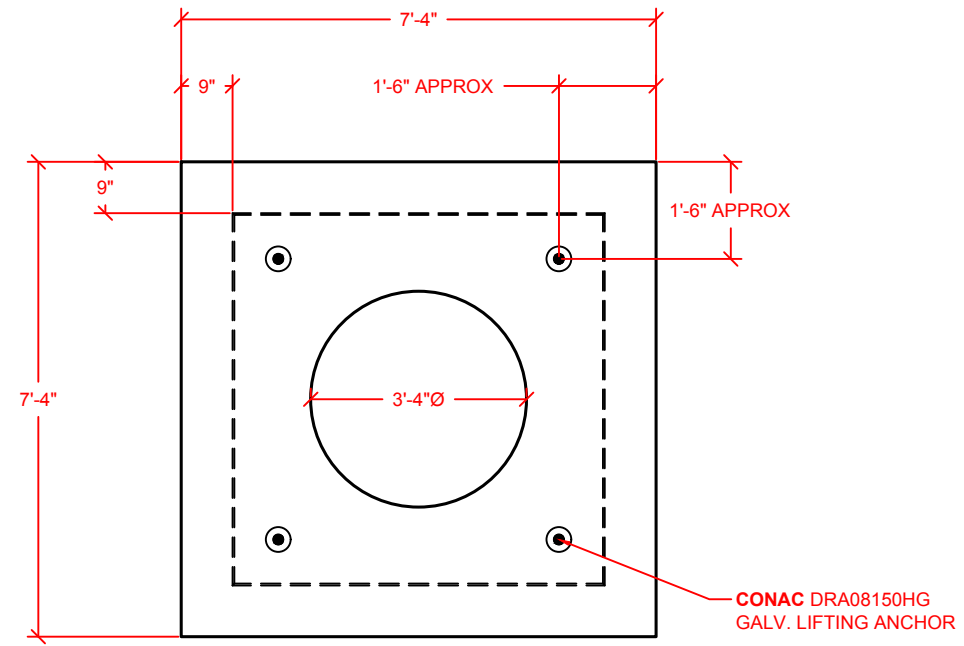


VAULT WALLS: PROFILE & REBAR LAYOUT

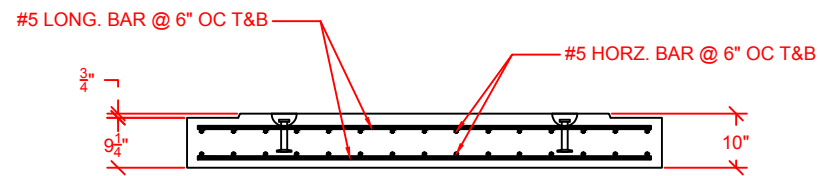
	1122 BRADWAY RD NORTH POLE AK 99705 PH: 907-459-4820 FAX: 907-459-4825	
	SCALE: NOT TO SCALE DATE: 8/8/18	DRAWN BY: TY JOHNSON REVISED: 4/15/19
666 CLEAR VAULT		
CONCRETE: 5,000 PSI REBAR: ASTM A615 GR 60	DRAWING NUMBER 1 OF 2	



VAULT BASE: PLAN
WEIGHT: 6,750 LBS



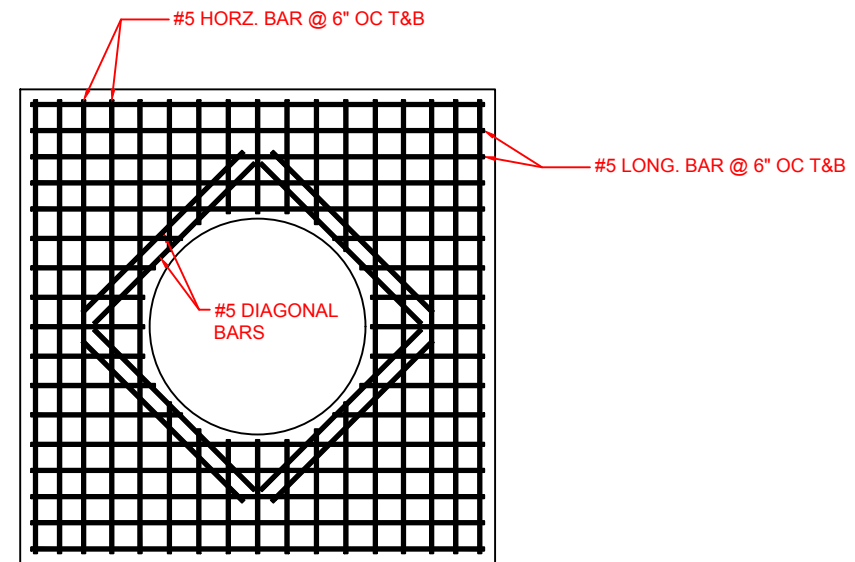
VAULT LID: PLAN
WEIGHT: 5,400 LBS



VAULT BASE: PROFILE & REBAR LAYOUT



VAULT LID: PROFILE & REBAR LAYOUT



VAULT LID: REBAR LAYOUT

	1122 BRADWAY RD NORTH POLE AK 99705 PH: 907-459-4820 FAX: 907-459-4825
	SCALE: NOT TO SCALE DATE: 8/8/18
666 CLEAR VAULT	
CONCRETE: 5,000 PSI REBAR: ASTM A615 GR 60	DRAWING NUMBER 2 OF 2