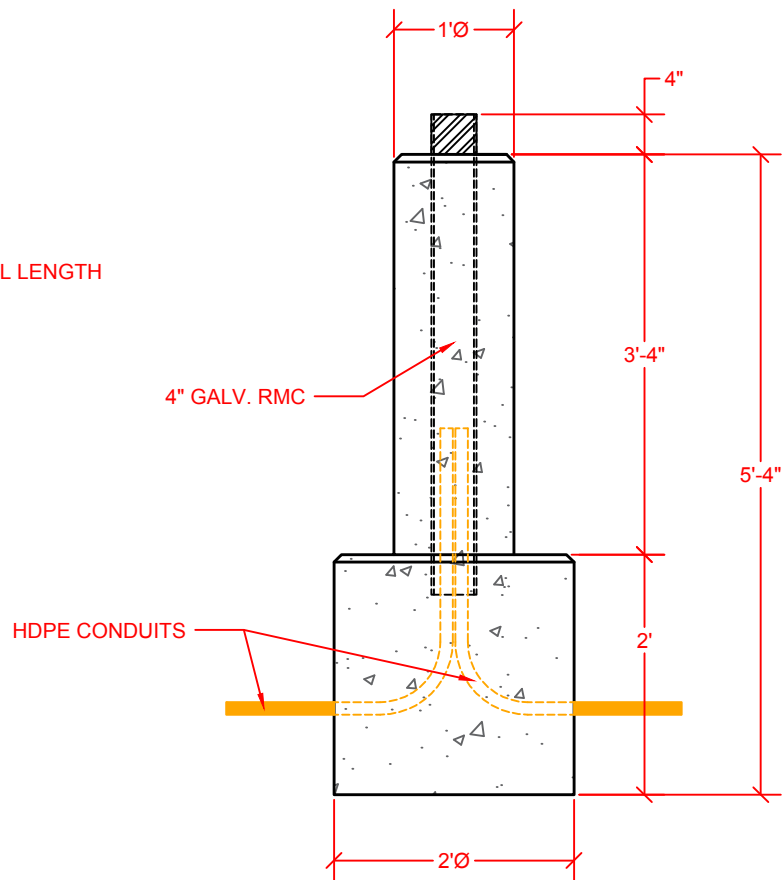



HBH STYLE #1 / VERSION #1



HBH STYLE #1 / VERSION #2

APPROXIMATE WEIGHT: 1,300 LBS
 CONCRETE: 5,000 PSI MIX

ELECTRICAL CONTRACTOR TYPICALLY
 SUPPLIES CONDUIT MATERIALS

 Fairbanks Precast & Rebar	1122 Bradway Rd North Pole, AK 99705 PH: 907-488-9763 Fax: 907-488-8300	
	SCALE: NOT TO SCALE DATE: 1/7/19	DRAWN BY: TY JOHNSON REVISED:
FP&R STOCK ITEM CATALOGUE		
STANDARD HBH POST STYLE #1	DRAWING NUMBER 1 OF 1	