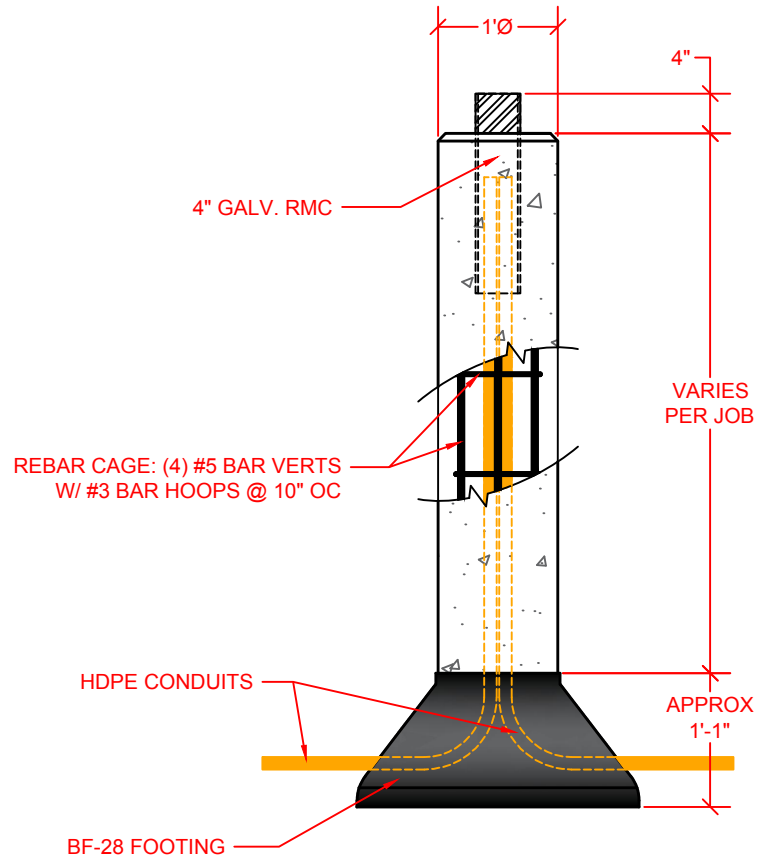



HBH STYLE #2 / VERSION #1

CONCRETE: 5,000 PSI MIX
 HBH DRAWN W/ 4'-6" TALL COLUMN ABOVE BIGFOOT
 APPROXIMATE WEIGHT WOULD BE 950 LBS

ELECTRICAL CONTRACTOR TYPICALLY SUPPLIES
 CONDUIT MATERIALS



HBH STYLE #2 / VERSION #2

 Fairbanks Precast & Rebar	1122 Bradway Rd North Pole, AK 99705 PH: 907-488-9763 Fax: 907-488-8300	
	SCALE: NOT TO SCALE DATE: 1/8/19	DRAWN BY: TY JOHNSON REVISED:
FP&R STOCK ITEM CATALOGUE		
STANDARD HBH POST STYLE #2	DRAWING NUMBER 1 OF 1	