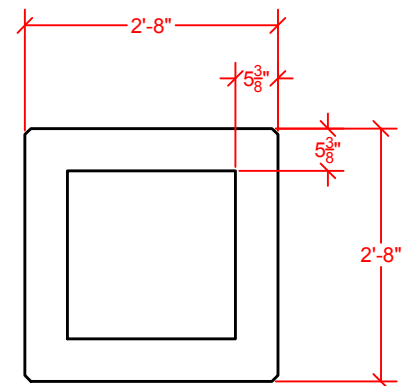



**PROFILE VIEW**



**PLAN VIEW**

APPROXIMATE WEIGHT: 2,000 LBS  
 CONCRETE: 5,000 PSI MIX  
 REINFORCEMENT: 6X6 W2.9 WWF (ASTM A-1064)  
 EXPOSED AGGREGATE: 3/4" MINUS ROCK W/ HEAVY RETARDER

 <b>Fairbanks Precast &amp; Rebar</b>	1122 Bradway Rd North Pole, AK 99705 PH: 907-488-9763 Fax: 907-488-8300	
	SCALE: NOT TO SCALE	DRAWN BY: TY JOHNSON
DATE: 2/1/19	REVISED:	
FP&R STOCK ITEM CATALOGUE		
SMALL PLANTER	DRAWING NUMBER 1 OF 1	