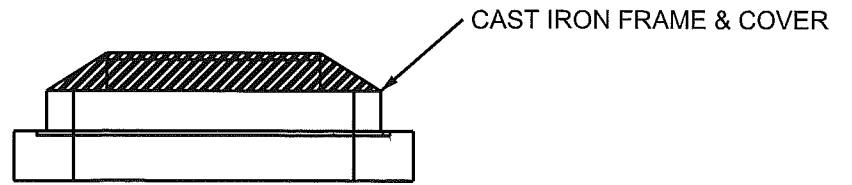
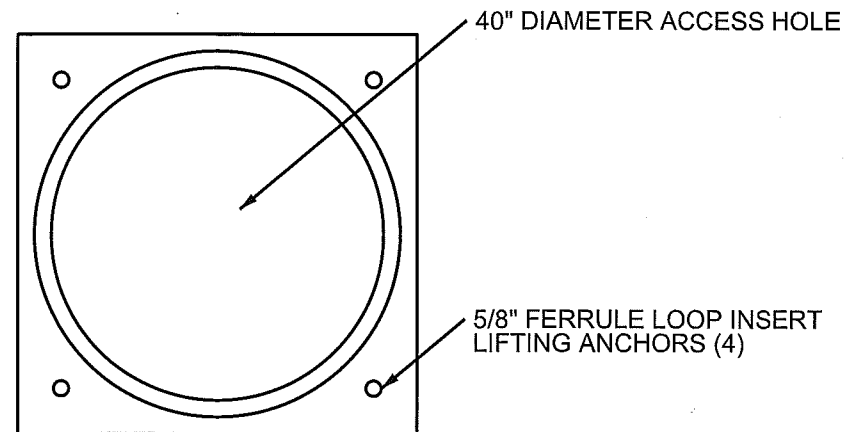


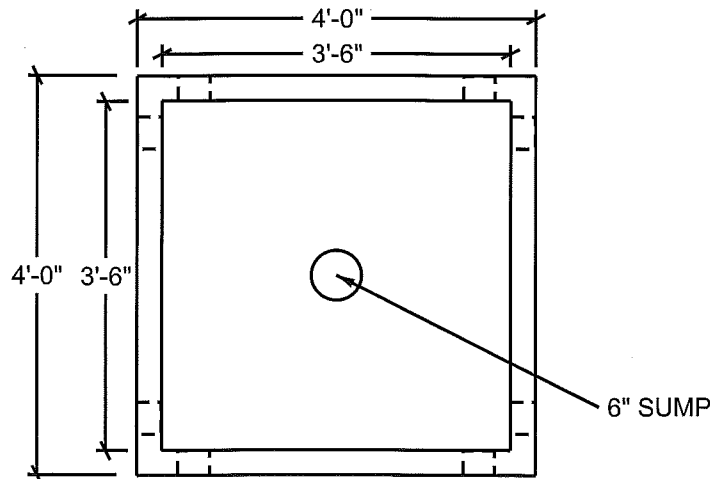
SIDE VIEW  
VAULT 3535



LID - SIDE VIEW  
W/FRAME & COVER



LID - TOP VIEW  
VAULT 3535



VAULT - TOP VIEW  
VAULT 3535

APPROXIMATE WEIGHT:  
VAULT - 1881 LBS.  
LID - 370 LBS.



**Fairbanks  
Precast & Rebar**

1122 BRADWAY ROAD.  
NORTH POLE, AK.99705  
PH: (907) 488-9763  
FAX: (907) 488-8300

SCALE: NO SCALE

DRAWN BY: T.E.C.

DATE 4/28/2010

REVISED: 4/29/2010

**VAULT# 3535**